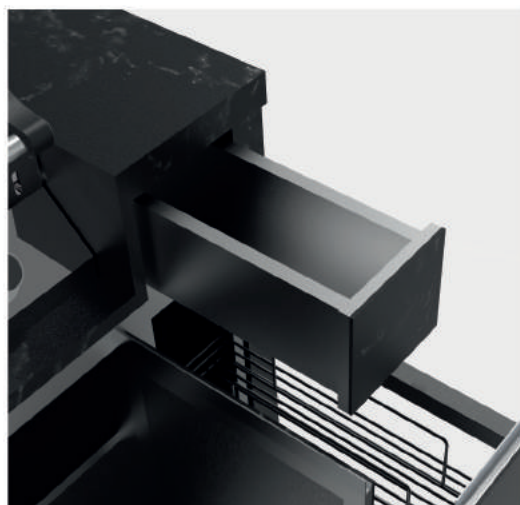




# HARDWARE CATALOGUE

ALUMINUM &  
STAINLESS STEEL FITTINGS



## Important Information

### Technical information

While every effort has been made in the production of this catalogue to ensure the accuracy of information, our products are continually being revised and users should confirm the up to date specification before ordering. Due to constant improvement of products presented in the catalogue, we can make changes at any time and without notice.

### Responsibility

It is the responsibility of the user to ensure the fitness of hardware for the intended purpose. We recommend assessment by appropriate thesting in the application and by technical enquiry to our representatives.

Introduction

| About us

4

Product categories

| Roller Shutter

8

Handle

24

Wardrobore Tube And Tube Support

40

Aluminum Fittings

42

Customized Aluminum Furniture

48

Midway System

72

Stainless Steel Assembly Cabinet Series

82

Outdoor Kitchen

96

LED Profile

112

Aluminum & Stainless Steel Accessoires

122

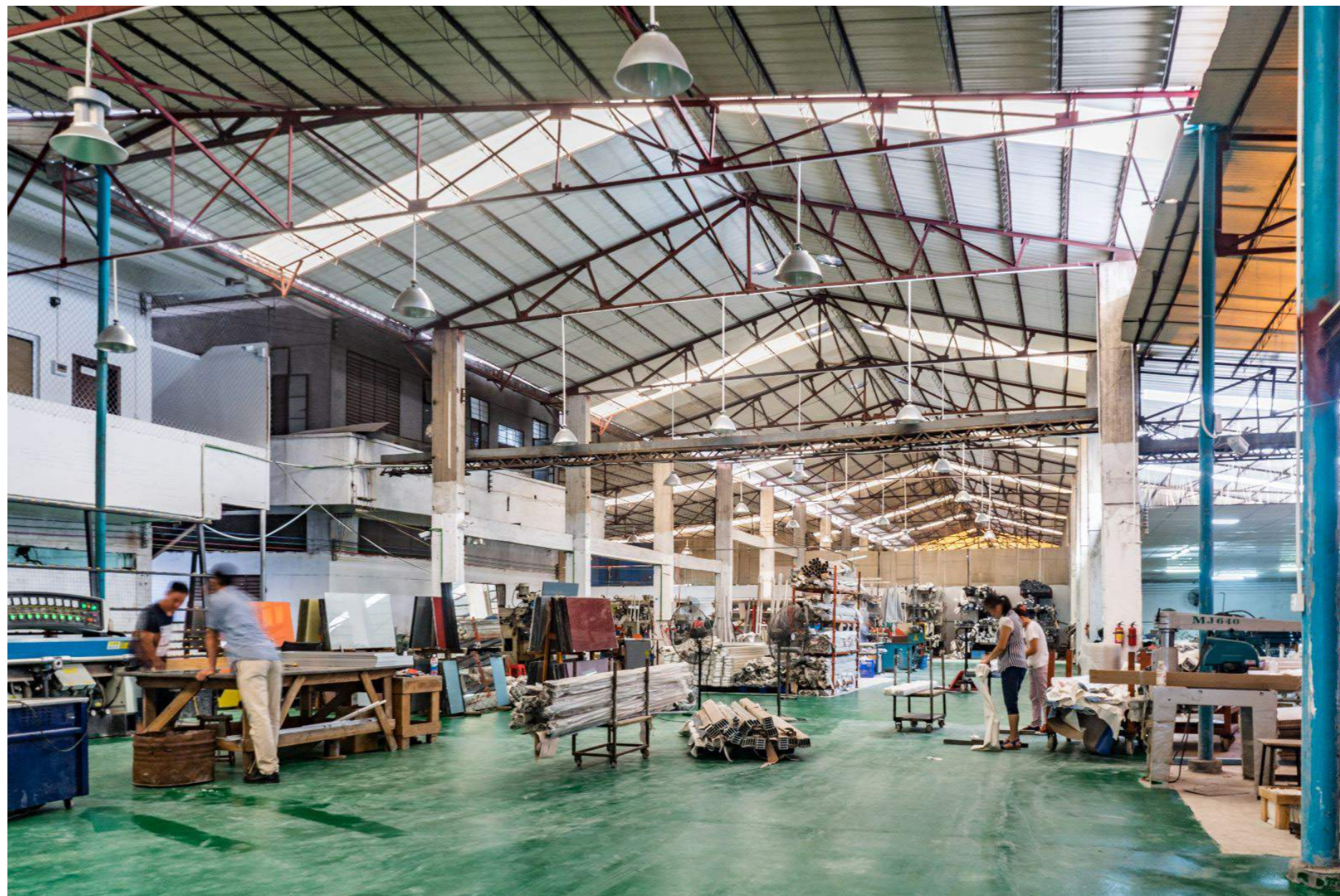
Welcome to



Established in 2004, our company has gained prolific reputation throughout the years in the hardware industry. Specializing in Stainless Steel and Aluminum applications. We have successfully sold in more than 10 different countries and regions around the world, as we continue to strive for business expansion.

Our factory has comprehensive machineries to develop and innovate new products. Our first product line was launched in 2003 - the roller shutter door, stainless steel cabinet, and aluminum extrusions. More products were eventually launched, including kitchen midway system, outdoor kitchen, and wine cabinet.

We have collaborated with well-known property developers in which we contributed in constructions. We offer OEM service internationally in order for our clients to have wider range of options to choose from. The quality of our products comply with the international requirement, such as LGA, ISO9001, and DIN. The priority of our company is to focus on offering the most elite and exceptional quality and service to our business partners.



# Our Certification



香港Q嘜優質服務計劃  
Hong Kong Q-Mark  
Service Scheme

The Hong Kong "Q-Mark" Quality Service Scheme is a service system certification scheme. To assist service companies in improving their service level and commend their capabilities in this area, the Hong Kong Quality Mark Bureau launched this scheme.



**ISO 9001**  
ISO 9001 sets out the criteria for a quality management system and is the only standard in the family that can be certified to (although this is not a requirement).

**ISO 14001**  
ISO 14001 sets out the criteria for an environmental management system and can be certified to. It maps out a framework that a company or organization can follow to set up an effective environmental management system.



The programme will honor the city's most outstanding leaders, innovators and teams whose initiatives have brought tangible business gains for the success of their companies. It will also highlight Employee Engagements, Health and Wellness, Diversity and Inclusion and CSR initiatives that have had a beneficial impact on your workforce or customers.



## RSG-300

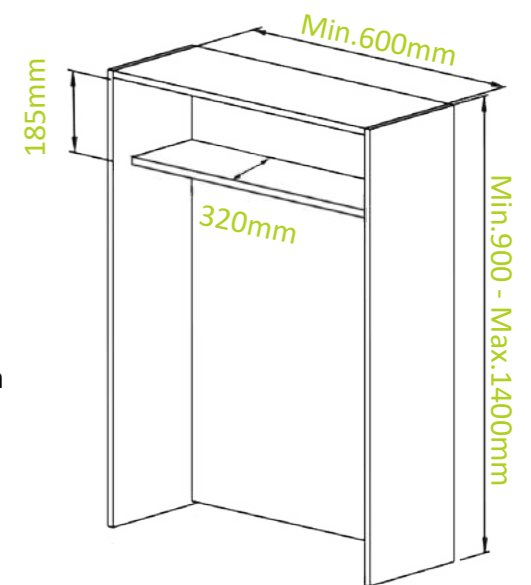
### 3-Step Work Glass Roller Shutter



- › Easy and fast installation
- › No special tooling is required
- › Accurately measure mounting position
- › Saving installation time and labor costs

#### Detailed Information for your enquiry / order:

› Slat Sizes :	50mm
› Board Thickness :	18mm
› Cabinet Width :	600mm
› Cabinet Height :	900/1000/1200/1400mm
› Minimum Cabinet Depth :	320mm
› Install Height :	185mm
› Distance of The Shelf :	20mm
› Drive :	manual
› Finished :	Black, White, Frosted



Plastic Box



Fast Installation



## RS&P-300

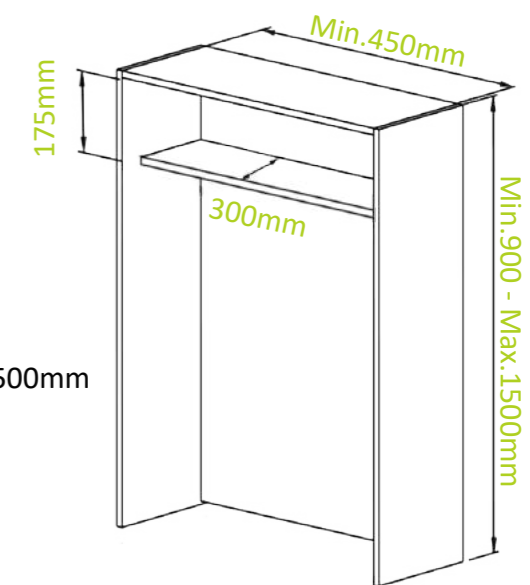
### 3-Step Work Aluminum Roller Shutter



- › Easy and fast installation
- › No special tooling is required
- › Accurately measure mounting position
- › Saving installation time and labor costs

#### Detailed Information for your enquiry / order:

› Slat Sizes :	25/28/40mm
› Board Thickness :	16/18mm
› Cabinet Width :	450/500/600/900mm
› Cabinet Height :	900/1000/1200/1400/1500mm
› Minimum Cabinet Depth :	300mm
› Install Height :	175mm
› Distance of The Shelf :	15mm
› Drive :	manual
› Finished :	Black, White, Anodized, SS Hairline



Steel Box



Fast Installation



## RSE-800

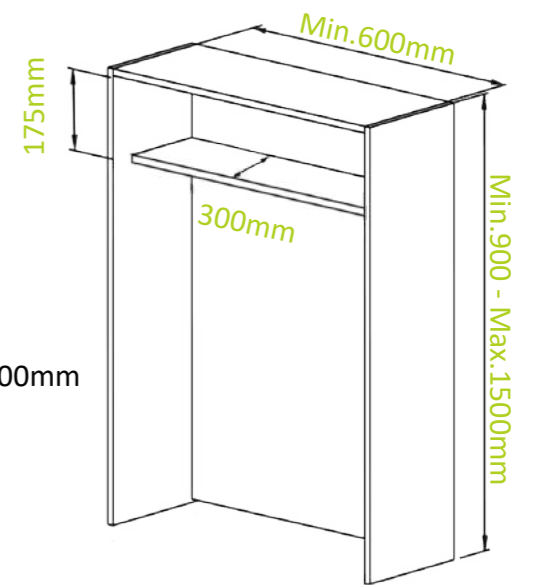
### Electric Alum Roller Shutter



- › Easy and fast installation
- › Built-in receiver, wireless remote control
- › Add on deket remote control at any time
- › No special tooling is required
- › Accurately measure mounting position
- › Saving installation time and labor costs

#### Detailed Information for your enquiry / order:

› Slat Sizes :	25/28/40mm
› Board Thickness :	18mm
› Cabinet Width :	600/900mm
› Cabinet Height :	900/1000/1200/1400/1500mm
› Minimum Cabinet Depth :	300mm
› Install Height :	175mm
› Distance of The Shelf :	15mm
› Drive :	electric
› Finished :	Black, White, Anodized, SS Hairline



Auto Electric



Fast Installation

# RSP-300

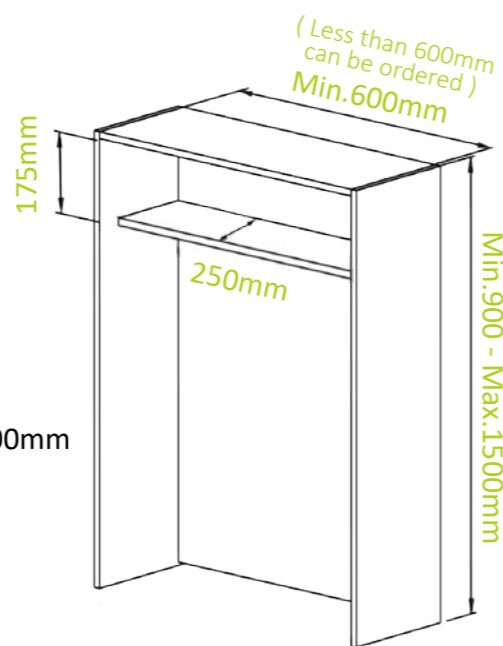
## Cassette Box Alum Roller Shutter



- › Easy and fast installation
- › No special tooling is required
- › Accurately measure mounting position
- › Saving installation time and labor costs

### Detailed Information for your enquiry / order:

› Slat Sizes :	25/28/40mm
› Board Thickness :	18mm
› Cabinet Width :	500/600/900mm
› Cabinet Height :	900/1000/1200/1400/1500mm
› Minimum Cabinet Depth :	250mm
› Install Height :	175mm
› Distance of The Shelf :	15mm
› Drive :	Manual
› Finished :	Black, White, Anodized, SS Hairline



# RSS-300

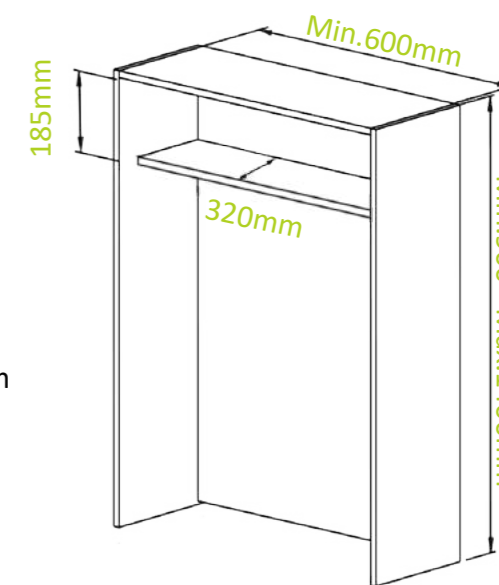
## #304 Stainless Steel Roller Shutter



- › Easy and fast installation
- › No special tooling is required
- › Accurately measure mounting position
- › Saving installation time and labor costs

### Detailed Information for your enquiry / order:

› Slat Sizes :	50mm
› Board Thickness :	18mm
› Cabinet Width :	600mm
› Cabinet Height :	900/1000/1200/1400mm
› Minimum Cabinet Depth :	320mm
› Install Height :	185mm
› Distance of The Shelf :	20mm
› Drive :	manual
› Finished :	Stainless Steel





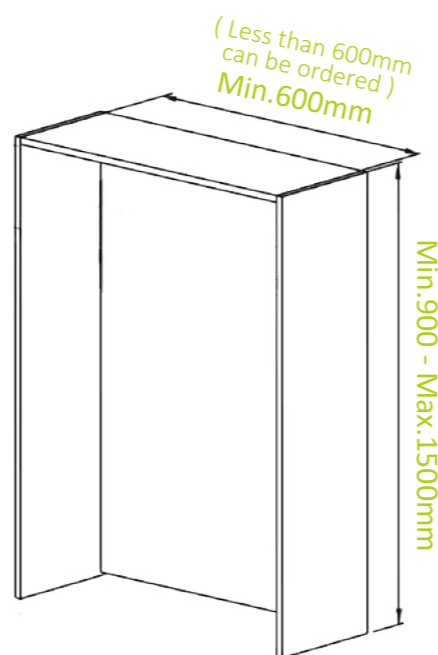
# RS-100

## Classic Alum Roller Shutter



### Detailed Information for your enquiry / order:

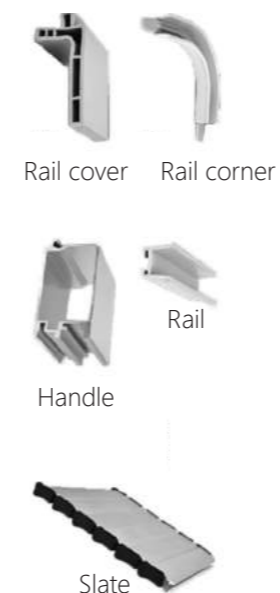
- > Slat Sizes : 25/28/40mm
- > Board Thickness : 16/18mm
- > Cabinet Width : 500/600/900mm
- > Cabinet Height : 900/1000/1200/1400/1500mm
- > Minimum Cabinet Depth : /
- > Install Height : /
- > Distance of The Shelf : /
- > Drive : Manual
- > Finished : Black, White, Anodized, SS Hairline



DIY

# RSV-600

## Aluminum Roller Shutter



- > Cabinet Width : 1200mm
- > Cabinet Height : 900mm



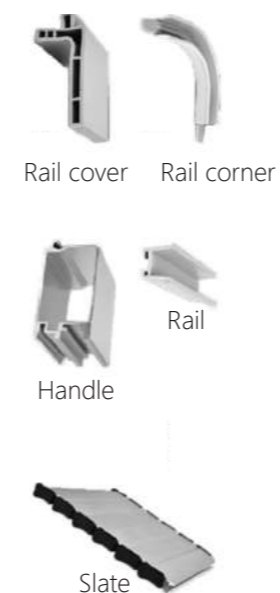
Aluminum



Manual

# RSV-700

## Plastic Roller Shutter



- > Cabinet Width : 1200mm
- > Cabinet Height : 900mm



Plastic



Manual

## OVERVIEW

### Packaging

#### RSP-300 / RS&P-300

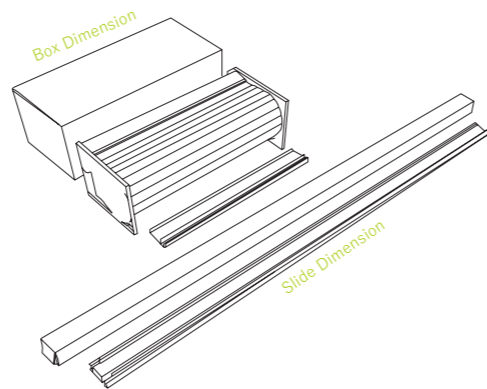
Size	Box Dimension
Size 600 mm	W 580mm x D 250mm x H190mm
Size 900 mm	W 880mm x D 250mm x H190mm

#### RSG-300 / RSS-300

Size	Box Dimension
Size 600 mm	W 640mm x D 380mm x H270mm

#### RSP-300 / RS&P-300 / RSG-300 / RSS-300 / RS-100

Size	Slide Dimension
Size 900 mm	W 902mm x D 40mm x H60mm
Size 1200 mm	W 1202mm x D 40mm x H60mm
Size 1400 mm	W 1402mm x D 40mm x H60mm
Size 1500 mm	W 1502mm x D 40mm x H60mm

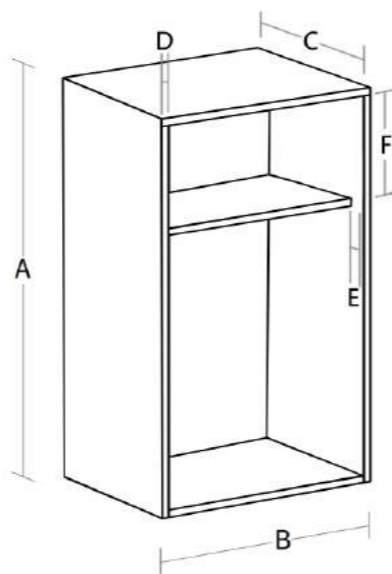


### Aluminum Roller Shutter

Model No.	RSP-300 / RS&P-300 / RS-100
Finished	Anodized
	Hairline
	Stainless Steel Hairline
	White
	Black
	Champagne

### Measures ( mm )

<b>A</b> Max. Height	1500 mm
<b>B</b> Max. Width	900 mm
<b>C</b> Maximum Interior Depth	280 mm
<b>D</b> Board Thickness	16 - 18 mm
<b>E</b> Min. Distance Of Shelf	15 mm
<b>F</b> Height of Shelf	175 mm
Slate Size	20/25/28/40 mm

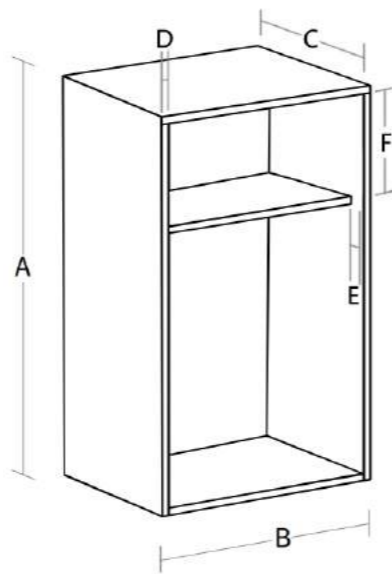


### Glass & Stainless Steel Roller Shutter

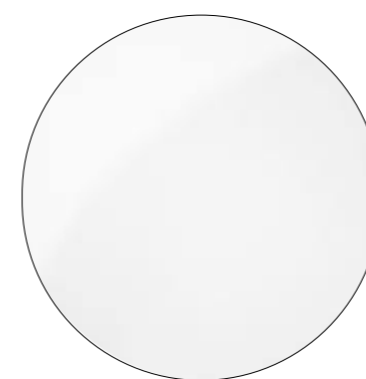
Model No.	RSG-300 / RSS-300
Finished	Anodized
	Hairline
	Stainless Steel Hairline
	White
	Black
	Champagne

### Measures ( mm )

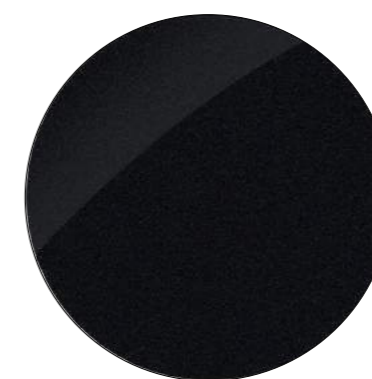
<b>A</b> Max. Height	1400 mm
<b>B</b> Max. Width	600 mm
<b>C</b> Maximum Interior Depth	320 mm
<b>D</b> Board Thickness	16 - 18 mm
<b>E</b> Min. Distance Of Shelf	20 mm
<b>F</b> Height of Shelf	185 mm
Slate Size	50/90 mm



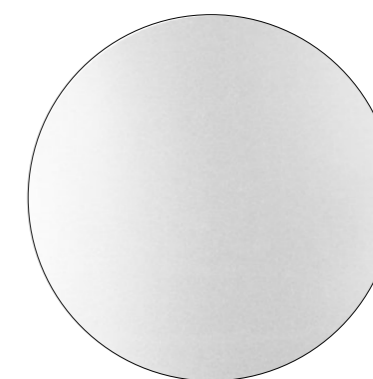
## FINISHED



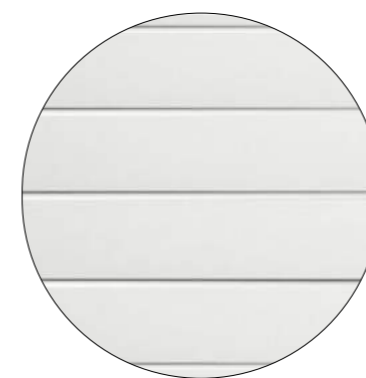
White Glass



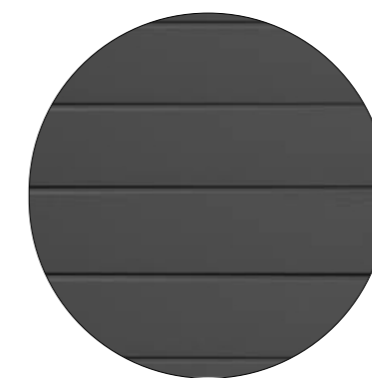
Black Glass



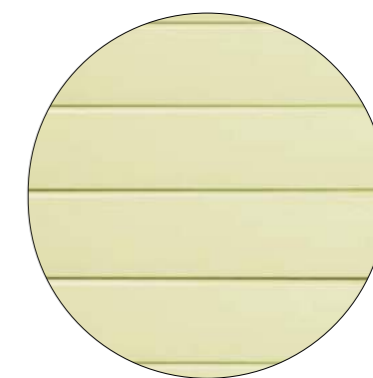
Frosted Glass



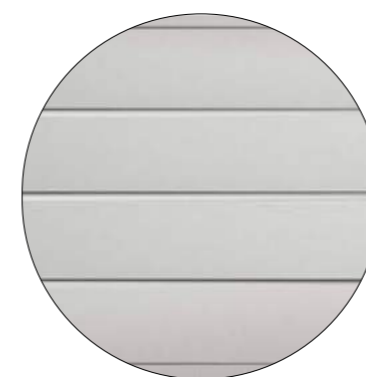
White Aluminum



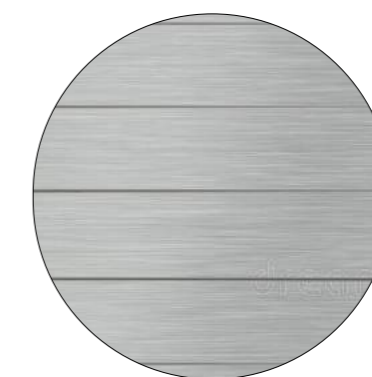
Matte Black Aluminum



Champagne



Anodized



SS Hairline



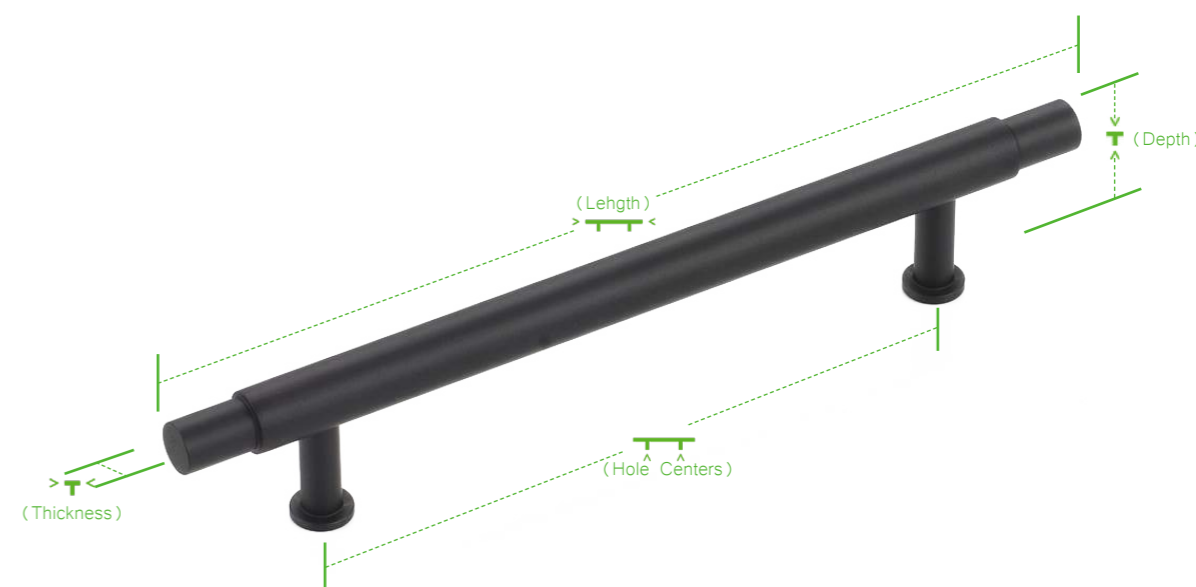
304 Stainless Steel







## HANDLE ANATOMY



## Example pg.9

ITEM CODE	> T <	^ ^	V T ^	> T <
D1200	250	96/128/160	50	10/12/16/20/25



## Length

Overall length of the handle.



## Hole Centers

The measurement between the centers of two screw holes.



## Depth

The distance between the base of the handle and face of the handle. With bow shaped handles, the longest distance from the base to the face will be considered the handle depth.

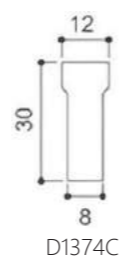


## Thickness

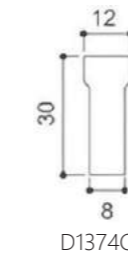
The distance between the top and bottom sides of the handle face. Handles with uneven faces will have the longest distance recorded as thickness.

### Surface-Mounted Pull Handle Aluminum

HANDLE



ITEM CODE	> T <	^ T ^	^ T ^	> T <
<b>D1374C</b>	Customized	96/128/160	30	12
<b>G1374</b>	Customized	96/128/160	20	12

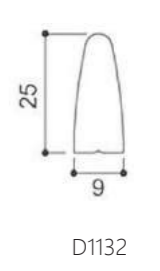
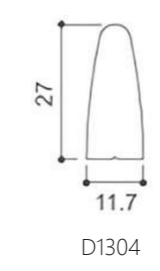


ITEM CODE	> T <	^ T ^	^ T ^	> T <
<b>D1374CA</b>	Customized	96/128/160	30	12

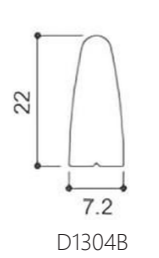
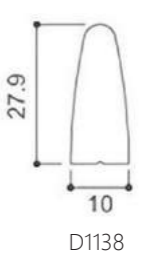
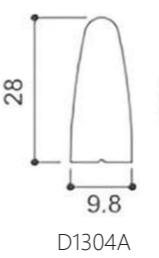


### Surface-Mounted Pull Handle Aluminum

HANDLE



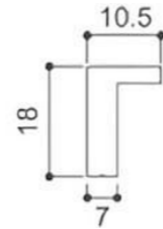
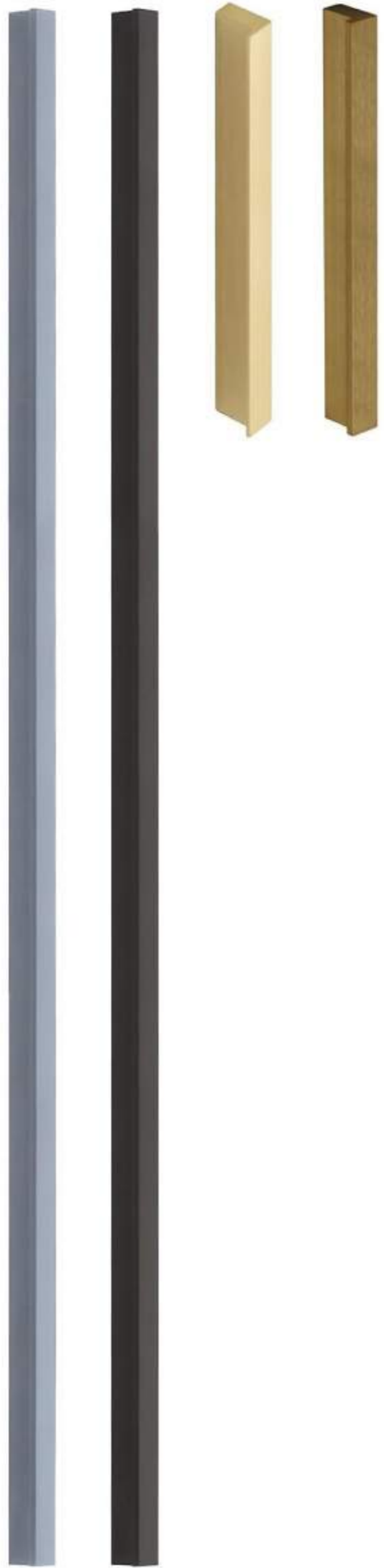
ITEM CODE	> T <	^ T ^	^ T ^	> T <
<b>D1304</b>	Customized	96/128/160	27	11.7
<b>D1132</b>	Customized	96/128/160	25	9



ITEM CODE	> T <	^ T ^	^ T ^	> T <
<b>D1034A</b>	Customized	96/128/160	28	9.8
<b>D1138</b>	Customized	96/128/160	27.9	10
<b>D1034B</b>	Customized	96/128/160	22	7.2



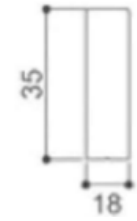
### Surface-Mounted Pull Handle Aluminum



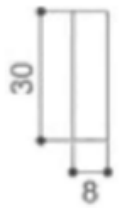
ITEM CODE	> T <	^ ^	v ^	> T <
D1010	Customized	96/128/160	18	10.5



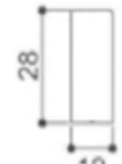
### Surface-Mounted Pull Handle Aluminum



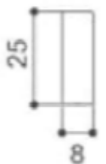
D1835



D1040



D1928

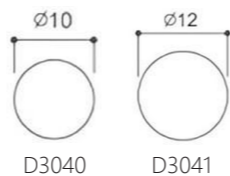
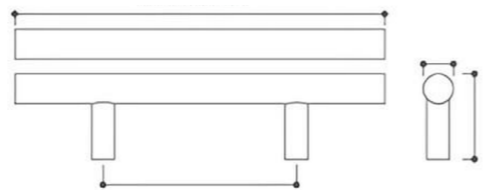
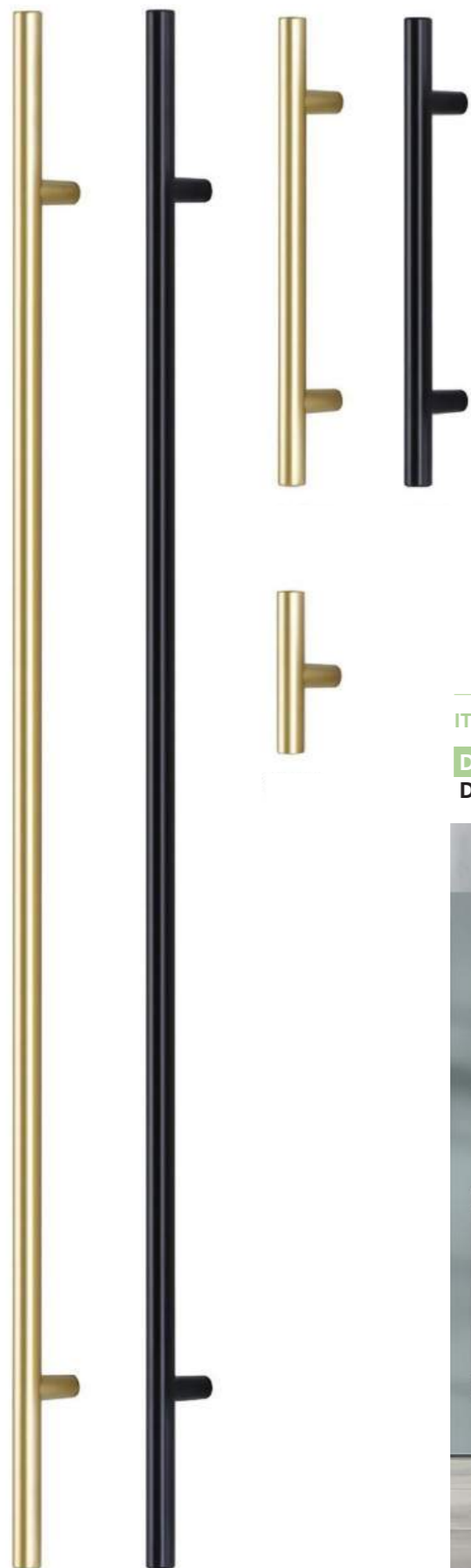


D1825

ITEM CODE	> T <	^ ^	v ^	> T <
D1835	Customized	-	35	18
D1825	Customized	-	25	8
D1040	Customized	-	30	8
D1928	Customized	-	28	19



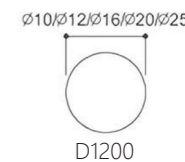
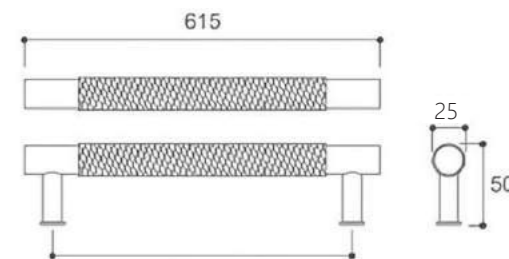
### Surface-Mounted Pull Handle Aluminum / #201 STAINLESS STEEL



ITEM CODE	> T <	T T	T	> T <
D3040	Customized	96/128/160	Customized	10
D3041	Customized	96/128/16	Customize	12



### Surface-Mounted Pull Handle Aluminum



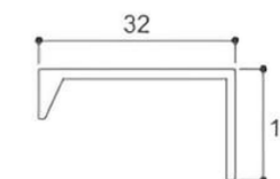
ITEM CODE	> T <	T T	T	> T <
D1200	250	96/128/160	50	10/12/16/20/25



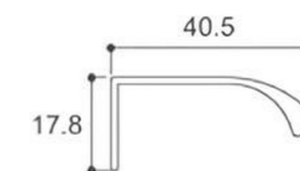




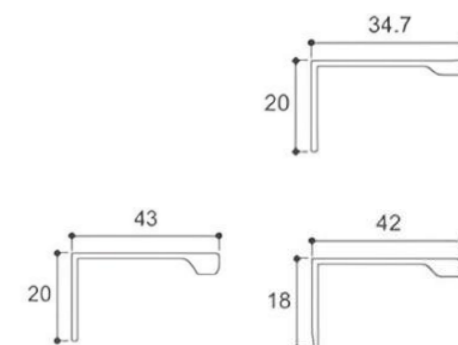
### Slot-Free Handle Aluminum



ITEM CODE	> T T <	Λ Λ	Y Λ	> T <
L0059	Customized	Customized	18	32



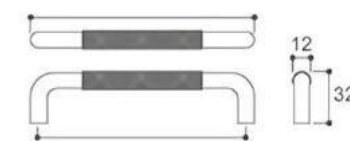
ITEM CODE	> T T <	Λ Λ	Y Λ	> T <
L0060	Customized	Customized	17.8	40.5



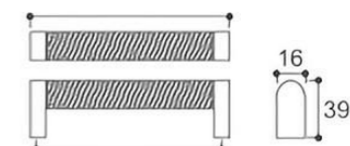
ITEM CODE	> T T <	Λ Λ	Y Λ	> T <
G0015A	Customized	Customized	20	43
L0022	Customized	Customized	18	42
G0015D	Customized	Customized	20	34.7



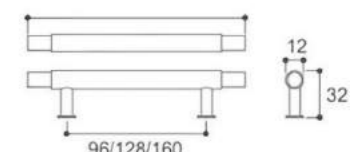
Pull Handle  
Aluminum



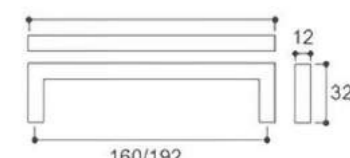
ITEM CODE	> T <	Λ Λ	Y	> T <
D2004	Customized	96/128/160	32	12



ITEM CODE	> T <	Λ Λ	Y	> T <
D3097	Customized	96/128/160	39	16



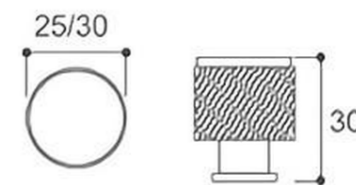
ITEM CODE	> T <	Λ Λ	Y	> T <
D3041D	Customized	96/128/160	32	12



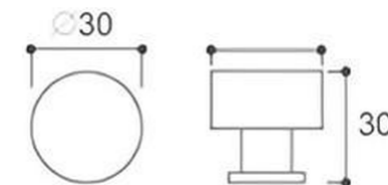
ITEM CODE	> T <	Λ Λ	Y	> T <
D1099	Customized	160	32	12



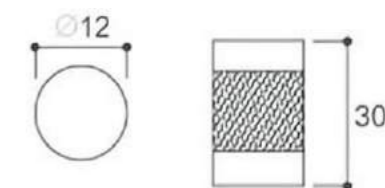
Knob Handle  
Aluminum



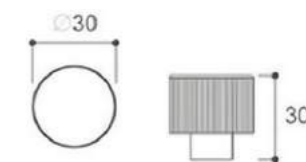
ITEM CODE	> T T <	T T	Y	> T <
D1200	18		25	18
	22		27	22
	28		27	28



ITEM CODE	> T T <	T T	Y	> T <
D1140	30		30	30



ITEM CODE	> T T <	T T	Y	> T <
D1145A	12		30	12



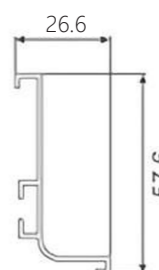
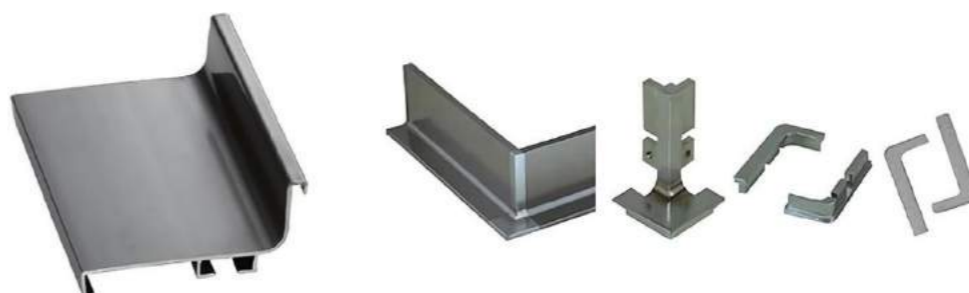
ITEM CODE	> T T <	T T	Y	> T <
D1368	30		30	30



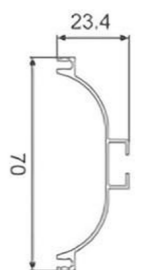
### Handle - Free Aluminum



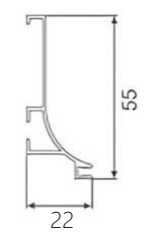
ITEM CODE	> T <	^ T ^	∇ T ∇	> T <
G0016	Customized	3000	26	73.5



ITEM CODE	> T <	^ T ^	∇ T ∇	> T <
G0017A	Customized	3000	26.6	57.6



ITEM CODE	> T <	^ T ^	∇ T ∇	> T <
G0016C	Customized	3000	23.4	70



ITEM CODE	> T <	^ T ^	∇ T ∇	> T <
G0017H	Customized	3000	22	55

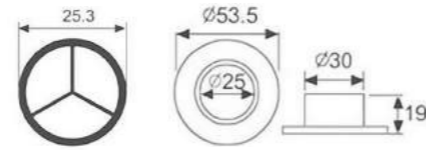
### Wardrobe Tube And Tube Support Aluminum



ML-11



ML-11Z



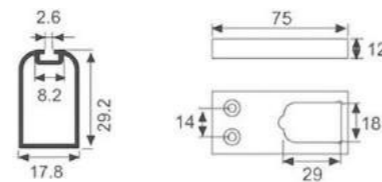
ITEM CODE	> T <	Λ Λ	Y	> T <
ML-11	6000		30	25.3
ML-11Z			49	53.5



ML-13



ML-13Z



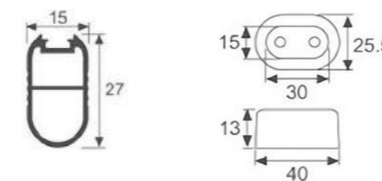
ITEM CODE	> T <	Λ Λ	Y	> T <
ML-13	3000		29.2	17.8
ML-13Z			12	75



ML-16



ML-16Z



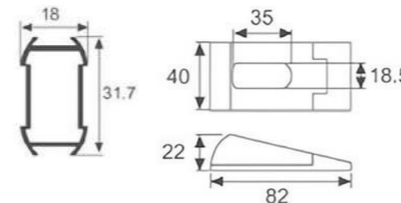
ITEM CODE	> T <	Λ Λ	Y	> T <
ML-16	3000		27	15
ML-16Z	40		13	25.5



ML-17



ML-17Z



ITEM CODE	> T <	Λ Λ	Y	> T <
ML-17	3000		31.7	18
ML-17Z	82		22	40

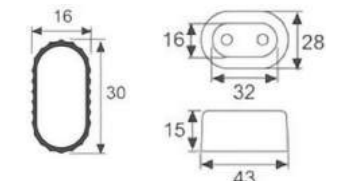
### Wardrobe Tube And Tube Support Aluminum



ML-12



ML-12Z



ITEM CODE	> T <	Λ Λ	Y	> T <
ML-12	3000		30	16
ML-12Z	43		15	28



ITEM CODE	> T <	Λ Λ	Y	> T <
ML-12	3000		27	15



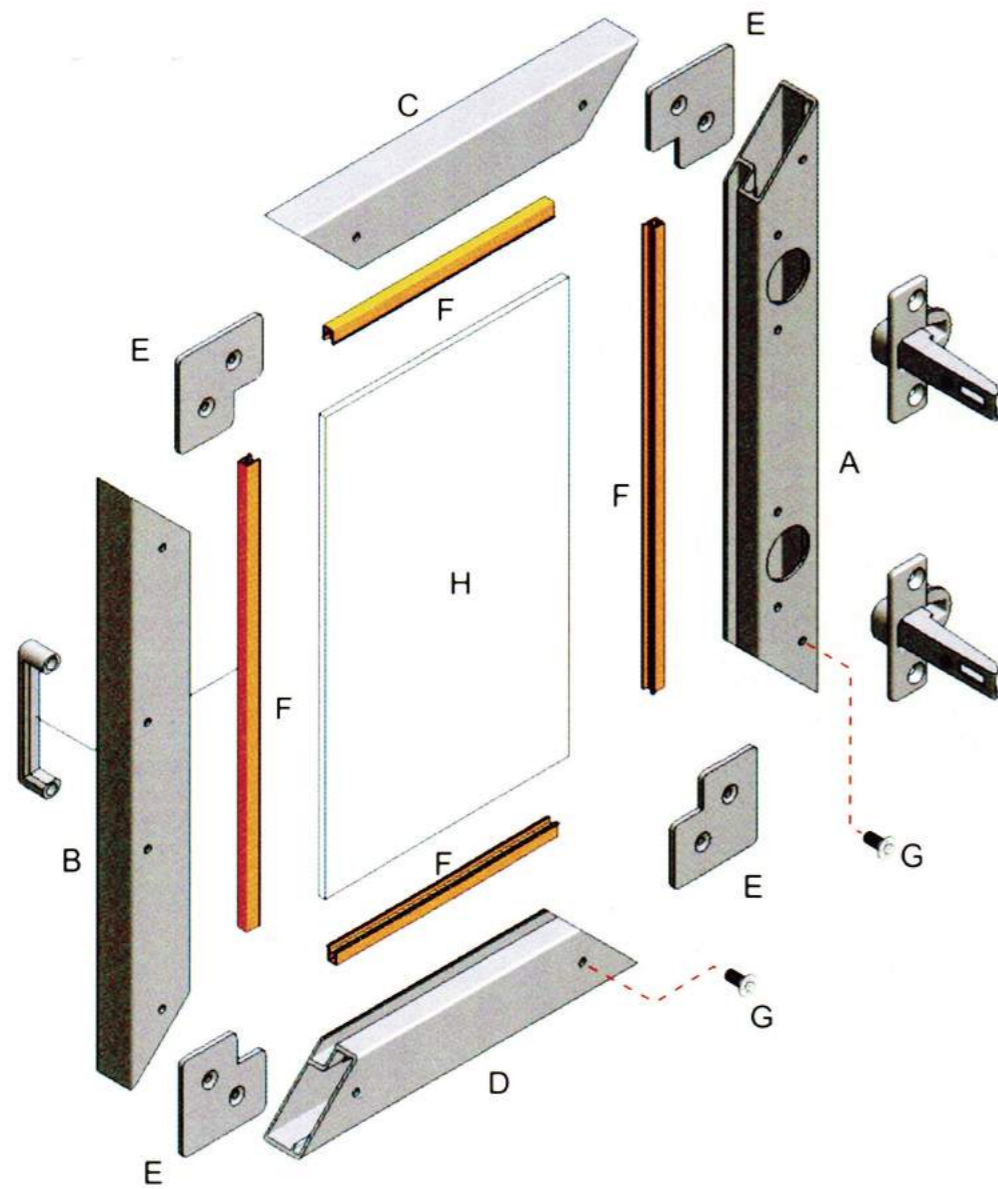
ITEM CODE	> T <	Λ Λ	Y	> T <
ML-14	3000		30	15



ITEM CODE	> T <	Λ Λ	Y	> T <
ML-19	3000		30	15



# AD Series Aluminum Frame



- A** Aluminum Frame - Hinge side **AD Series**
- B** Aluminum Frame - Handle side **AD Series**
- C** Aluminum Frame - Upper **AD Series**
- D** Aluminum Frame - Bottom **AD Series**
- E** Corner Fittings **C3, C5, C6, C9**
- F** Plastic Sealing Strip **S1, S2, S5**
- G** Screw **M4 x 8**
- H** Glass **4/5mm**

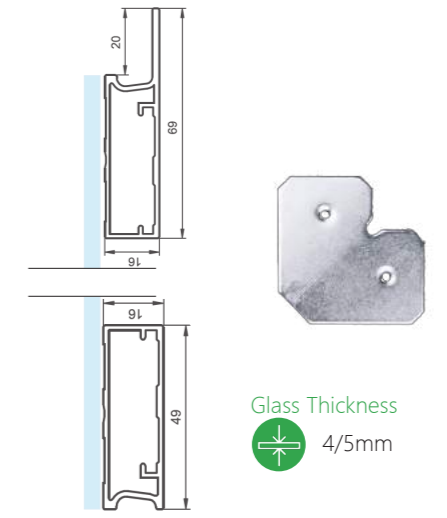
## AD Series

## Aluminum Frame

Model	Dimensions	Glass Thickness	Finishing	Measurement for glass	Plastic Sealing Strip
<b>AD-2080</b>		4/5mm	Hairline / Anodized	L-28	S1
<b>AD-2081</b>		4/5mm	Hairline / Anodized	L-28	S1
<b>AD-2091</b>		4/5mm	Hairline / Anodized	L-85	S1
<b>AD-2105</b>		4/5mm	Hairline / Anodized	L-6	S1
<b>AD-2093</b>		4/5mm	Hairline / Anodized	L-6	S1
<b>AD-2905</b>		4/5mm	Hairline / Anodized	L-6	S1
<b>AD-2098</b>		4/5mm	Hairline / Anodized	L-82	S2
<b>AD-29189-45</b>		4/5mm	Hairline / Anodized	L-5	S5

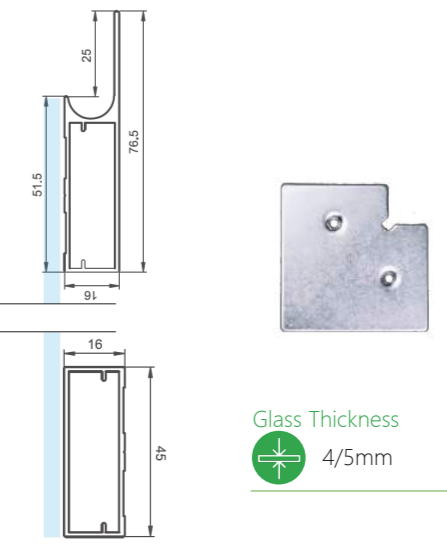
### Aluminum Frame

AD-2947 + 2948



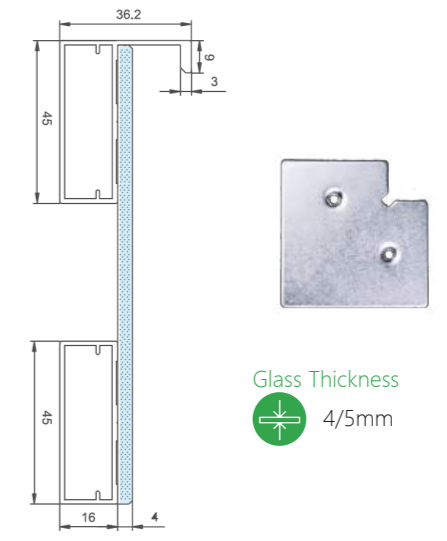
Glass Thickness  
 4/5mm

AD-2953+ 2954



Glass Thickness  
 4/5mm

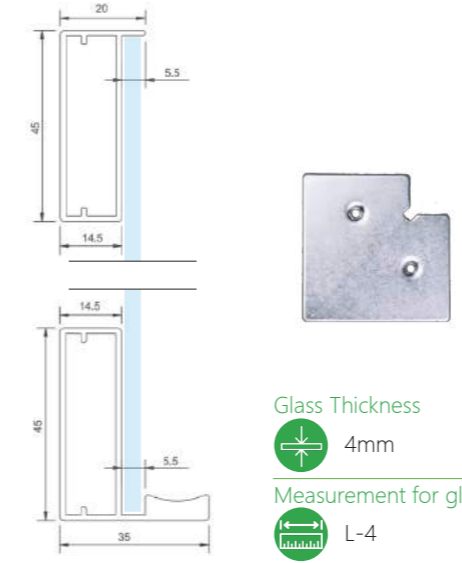
AD-2959 + 2954



Glass Thickness  
 4/5mm

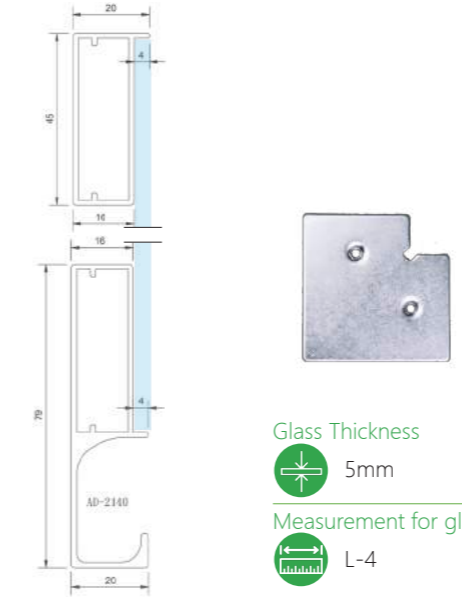
### AD Series

AD-2144 + 2143



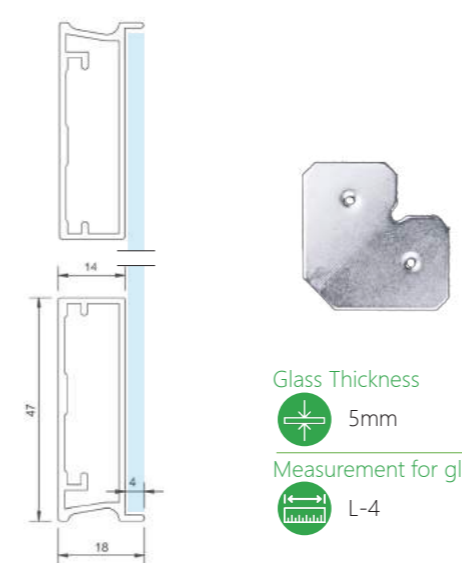
Glass Thickness  
 4mm  
 Measurement for glass  
 L-4

AD-2140 + 2133



Glass Thickness  
 5mm  
 Measurement for glass  
 L-4

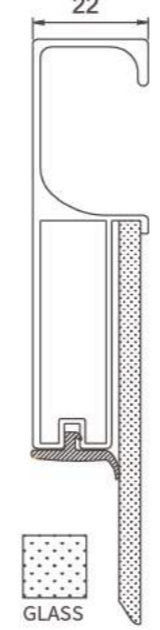
AD-2946



Glass Thickness  
 5mm  
 Measurement for glass  
 L-4

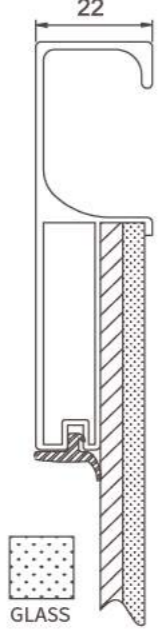
### Aluminum Frame

AD-2915 + 2916



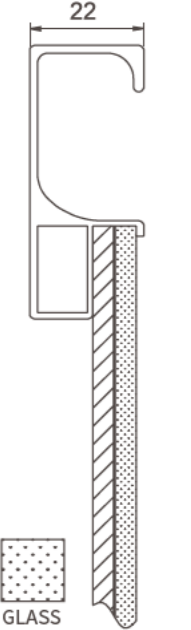
Thickness  
 4/5mm  
 Measurement for glass  
 H-37  
 W-3  
 Finishing  
 Hairline / Anodized  
 Plastic Sealing Strip  
 S8-1

AD-2912 + 2913



Thickness  
 ≤ 8mm  
 (Glass+Wood)  
 Measurement for glass  
 H-37  
 W-3  
 Finishing  
 Hairline / Anodized  
 Plastic Sealing Strip  
 S8-1

AD-2910 + 2911



Thickness  
 ≤ 7mm  
 (Glass+Wood)  
 Measurement for glass  
 H-37  
 W-3  
 Finishing  
 Hairline / Anodized

### AD Series



### Table Leg Aluminum

Height	Width	Depth
150,200,300,710, 835,1055,1100 <b>mm</b>	<b>75 mm</b>	<b>75 mm</b>

Height	Width	Depth
150,200,300,710, 835,1055,1100 <b>mm</b>	<b>60 mm</b>	<b>60 mm</b>

Height	Width	Depth
150,200,300,710, 835,1055,1100 <b>mm</b>	<b>60 mm</b>	<b>60 mm</b>

Height	Width	Depth
150,200,300,710, 835,1055,1100 <b>mm</b>	<b>80 mm</b>	<b>80 mm</b>

### Table Leg Aluminum

Height	Width	Depth
150,200,300,710, 835,1055,1100 <b>mm</b>	<b>60 mm</b>	<b>60 mm</b>

Height	Width	Depth
150,200,300,710, 835,1055,1100 <b>mm</b>	<b>60 mm</b>	<b>60 mm</b>

### STAINLESS STEEL

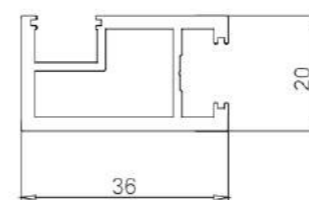
Height	Width	Depth
150,200,300,710, 835,1055,1100 <b>mm</b>	<b>50 mm</b>	<b>50 mm</b>

Height	Width	Depth
150,200,300,710, 835,1055,1100 <b>mm</b>	<b>60 mm</b>	<b>60 mm</b>

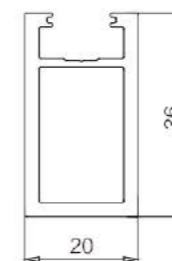




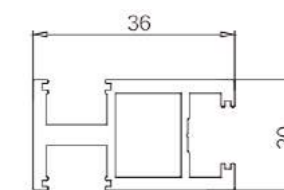
LMG-2113



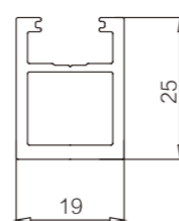
LMG-2108



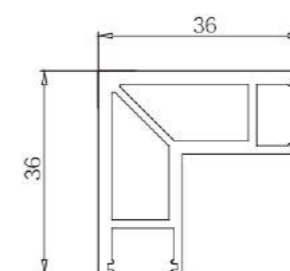
LMG-2112



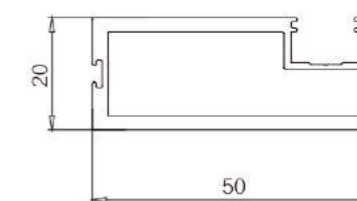
LMG-2107



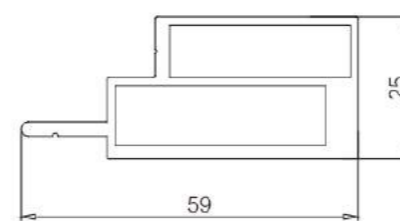
LMG-2111



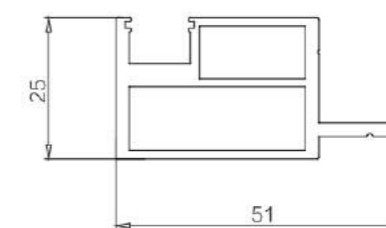
LMG-2109



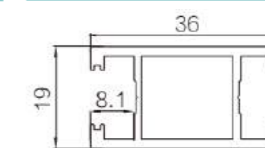
LMG-2110



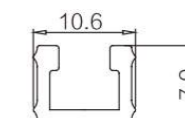
LMG-2114



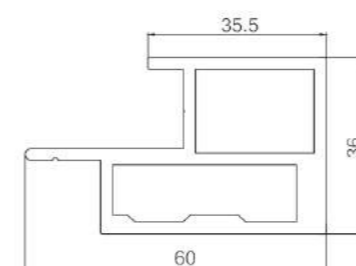
LMG-2121



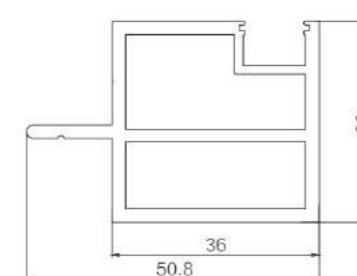
LMG-2103



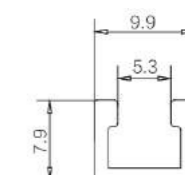
LMG-2119



LMG-2120

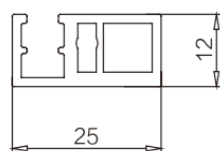


YF-483

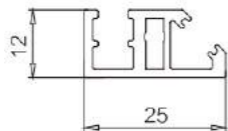




LMG-2105



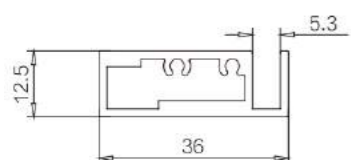
LMG-2106



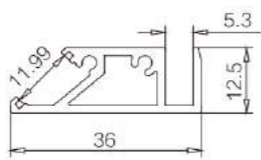
LMG-ZWG-YG10



XZJJ-301A



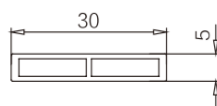
XZJJ-301B



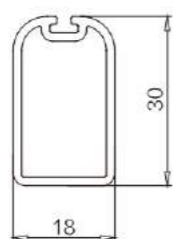
YF-B5



LMG-2102



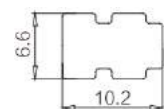
LMG-2104

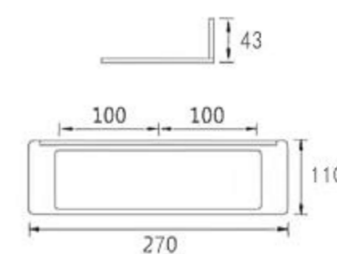
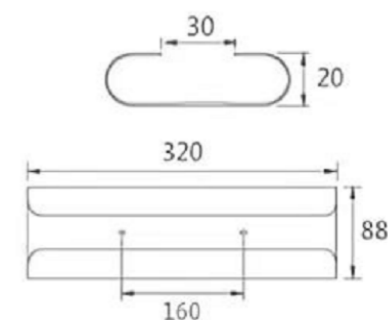
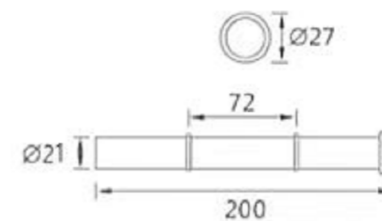


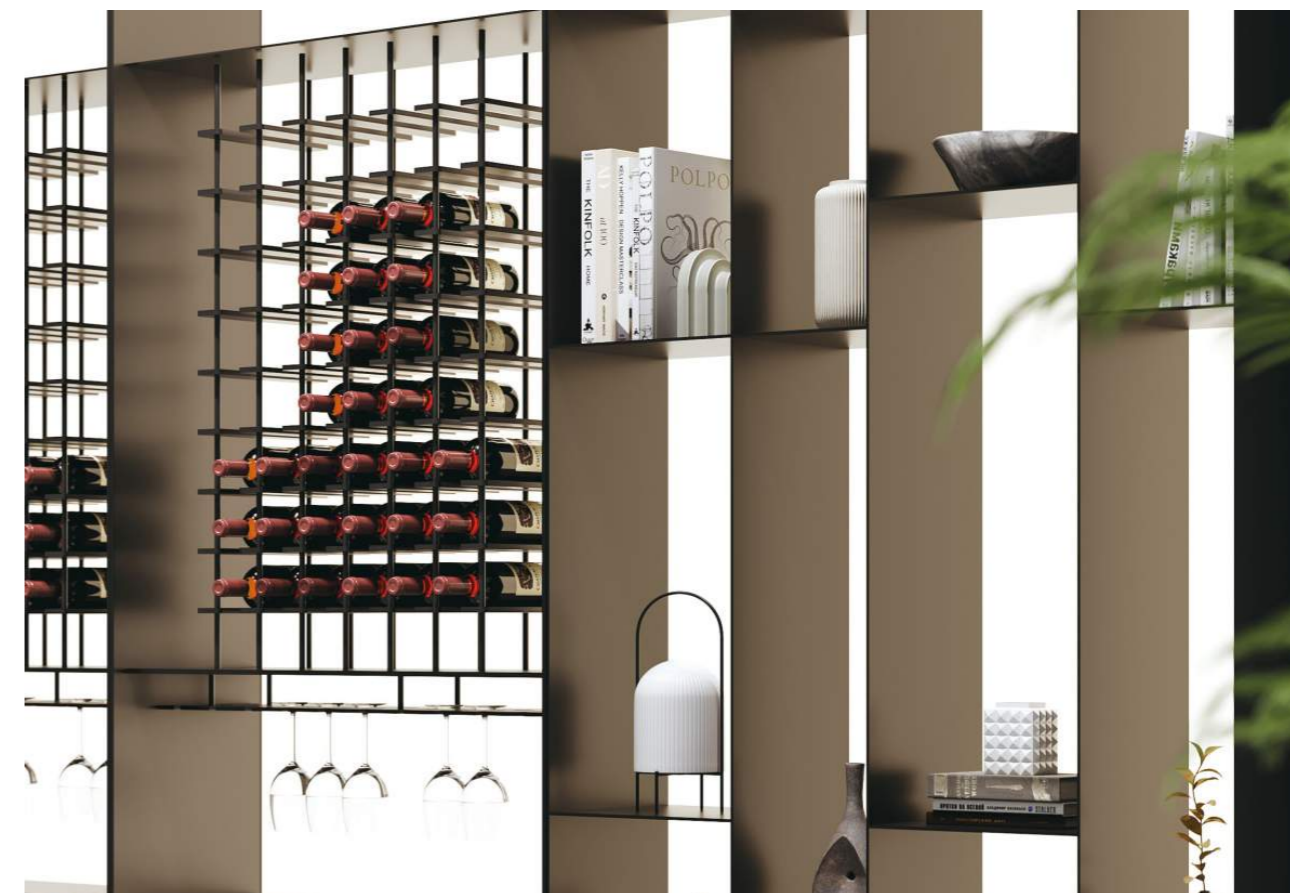
XZJJ-305



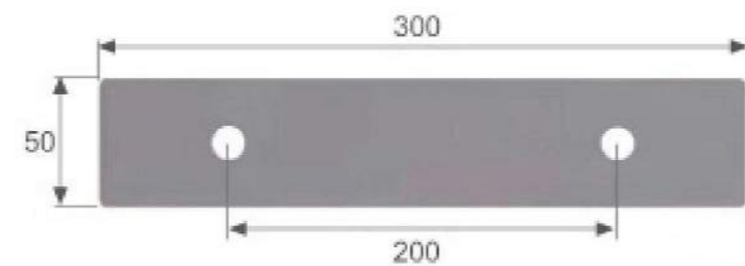
LMG-2101







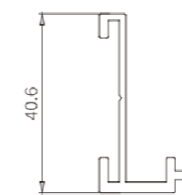
Material : Aluminum Alloy  
 Aluminum Colors Available : Brushed black, Brushed Brass  
 Specification : Customized



Aluminum Board Thickness  
 3mm



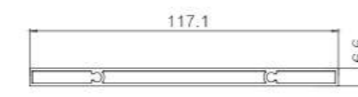
ZWG-01



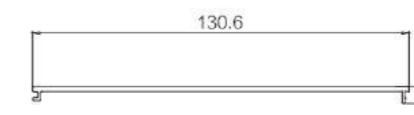
ZWG-02



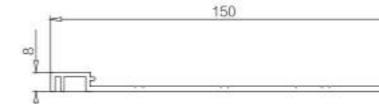
ZWG-03



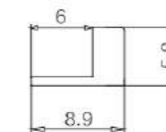
ZWG-04



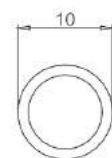
ZWG-05



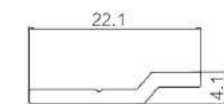
ZWG-07



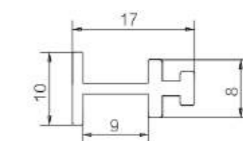
ZWG-YG10



GDP-001



ZWG08



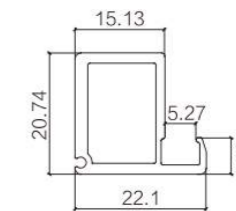




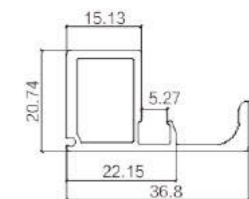
PT002



XZJJ20-01A NEW



XZJJ20-01B NEW

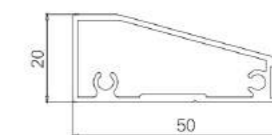


Glass Thickness  
 4mm

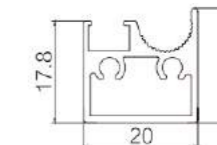
PJ001



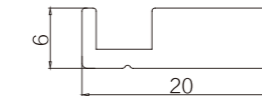
DSD-461



DSD-462



DSD-460

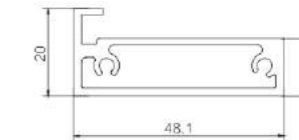


Glass Thickness  
 4mm

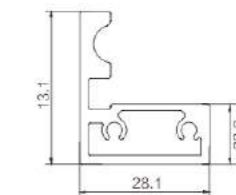
PJ002



YF-497



YF-498



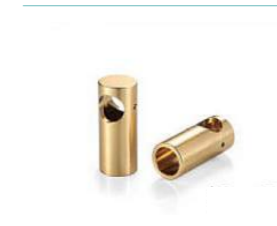
DSD-460

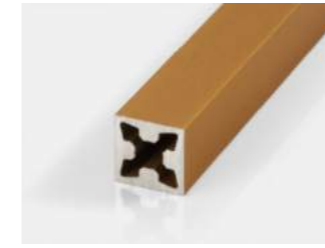


Glass Thickness  
 4mm

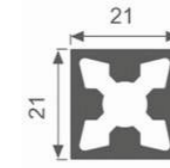


K3203

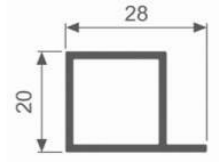




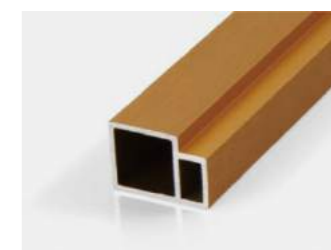
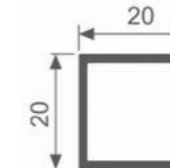
**K3126**



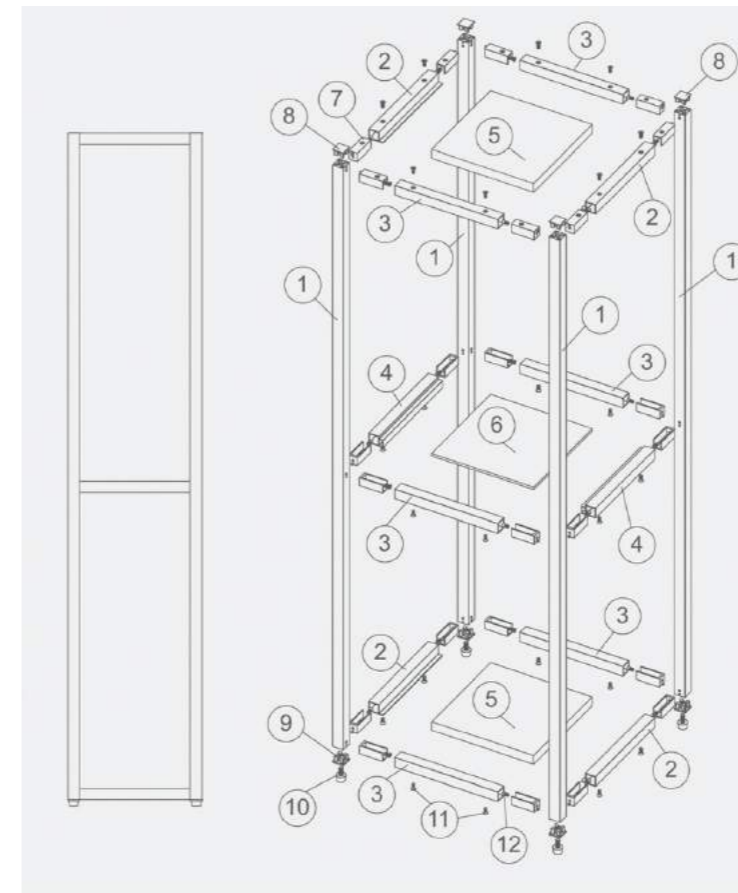
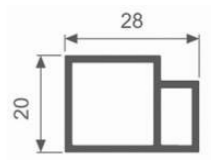
**K3128**



**K3127**



**K3128**



**No. Instructions.**

- |    |                              |
|----|------------------------------|
| 1  | <b>K3126</b>                 |
| 2  | <b>K3128</b>                 |
| 3  | <b>K3127</b>                 |
| 4  | <b>K3129</b>                 |
| 5  | 25mm laminate                |
| 6  | 5mm glass                    |
| 7  | conncet part                 |
| 8  | End cap (top)                |
| 9  | End cap (bottom)             |
| 10 | Adjustable leg               |
| 11 | M4 x 10(hex socket head cap) |
| 12 | M4 x 10                      |



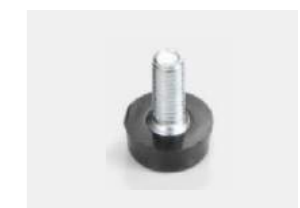
Zinc alloy connect part



Zinc alloy End cap (top)



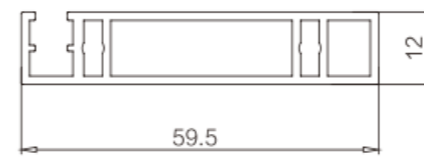
Zinc alloy End cap (bottom)



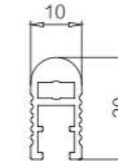
Adjustable Leg



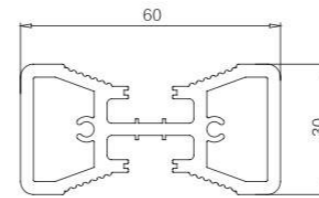
LTSG-2116



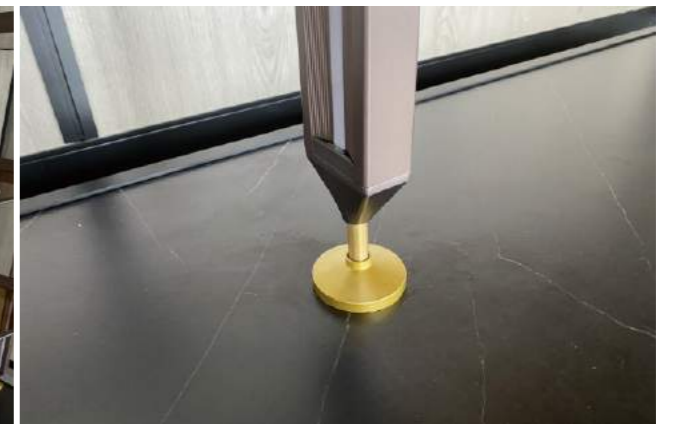
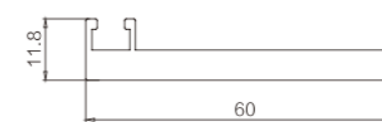
LTSG-2117



LTSG-2118



LTSG-2115



# M8 MIDWAY SYSTEM

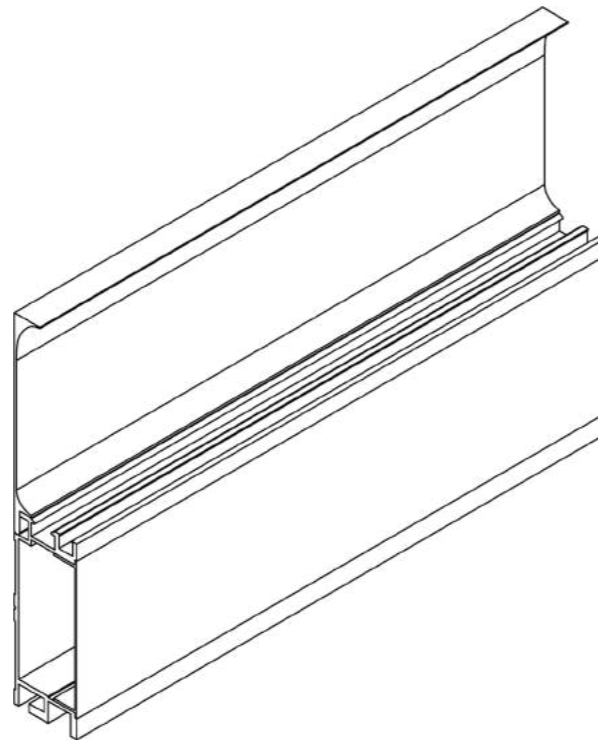
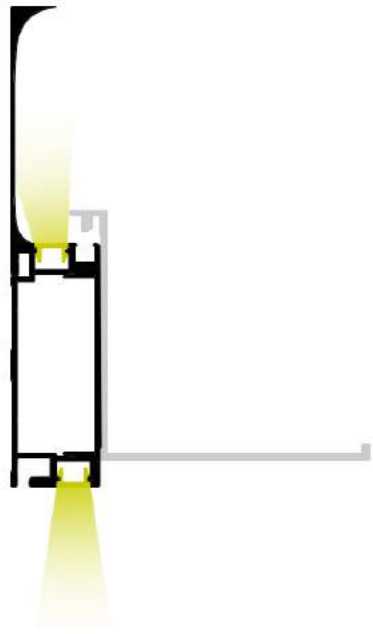


# M9 MIDWAY SYSTEM



## M8 Profile

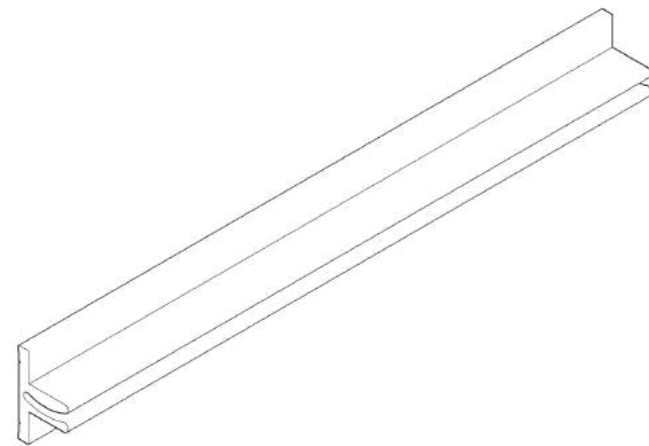
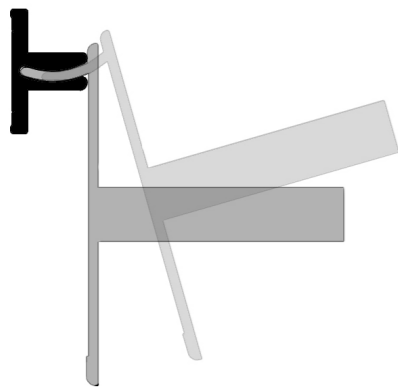
The M8 aluminum rail can be screwed on to the wall with easy installation. Making it ideal to input LED strip, that casts a warm-toned and indirect light over the attached element.



ITEM CODE	H	D	W
MTH-M8001	160mm	30mm	1500mm
	160mm	30mm	1800mm
	160mm	30mm	2000mm

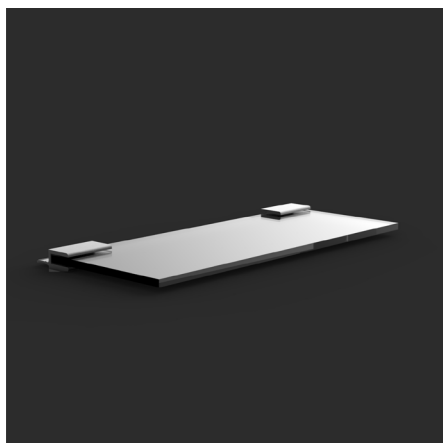
## M9 Profile

The M9 system is the perfect way to install an hidden aluminum strip on a wall. Impressive through its simplicity, with its minimalistic shape and a smaller profile size than the M8. Brings out the ultimate minimalist experience.



ITEM CODE	H	D	W
MTH-M9001	31.2mm	19.5mm	Customized





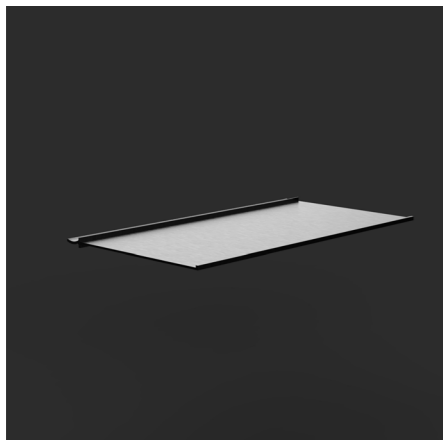
### Glass Shelf

ITEM CODE	H	D	W
M9001	6mm	120mm	300mm
	6mm	120mm	350mm
	6mm	120mm	400mm



### L shape Aluminum Holder

ITEM CODE	H	D	W
M9001	6mm	120mm	300mm
	6mm	120mm	350mm
	6mm	120mm	400mm



### Aluminum Shelf

ITEM CODE	H	D	W
M9010	5mm	150mm	300mm
	5mm	150mm	450mm
	5mm	150mm	600mm



### Wood Shelf

ITEM CODE	H	D	W
M9011	25mm	300mm	450mm
	25mm	300mm	600mm



### Paper Towel Holder

ITEM CODE	H	D	W
M9003	80mm	120mm	266mm



### Paper Towel Holder

ITEM CODE	H	D	W
M9004	225mm	115mm	100mm



### Storage Holder

ITEM CODE	H	D	W
M9005	230mm	85mm	80mm
	230mm	85mm	80mm



### Storage Drawer (M)

ITEM CODE	H	D	W
M9006	230mm	84mm	85mm





### Storage Drawer (L)

ITEM CODE	H	D	W
M9007	85mm	84mm	444mm



### Mini Hook

ITEM CODE	H	D	W
M9008	22mm	42mm	30mm



### Knife Hook

ITEM CODE	H	D	W
M9012	225mm	90mm	100mm



### Kitchenware Holder

ITEM CODE	H	D	W
M9012	225mm	90mm	100mm



### Magnetic Spice Rack

ITEM CODE	H	D	W
M9013	83mm	85mm	83mm
	83mm	85mm	460mm

4-Jars  
5-Jars



### Magnetic Spice Rack

ITEM CODE	H	D	W
M9014	83mm	85mm	83mm
	83mm	85mm	460mm

4-Jars  
5-Jars



### Magnetic Spice Rack

ITEM CODE	H	D	W
M9015	83mm	85mm	360mm
	83mm	85mm	460mm

4-Jars  
5-Jars



### Magnetic Spice Rack

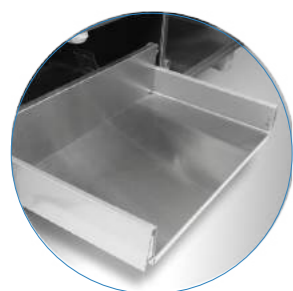
ITEM CODE	H	D	W
M9016	83mm	85mm	360mm
	83mm	85mm	460mm

4-Jars  
5-Jars

# KITCHEN STAINLESS STEEL ASSEMBLY CABINET



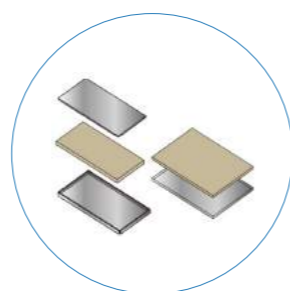
Mini Cabinet Series



**The Full Stainless Steel Drawer**  
The fully stainless steel panels is matched various drawer slide

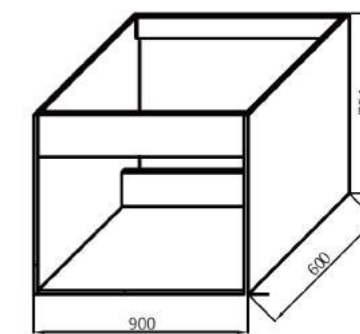


**L-Shape Corner of Cabinet**  
Perfect Match : The L-shape Corner for without handle of the door

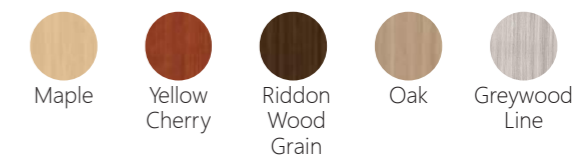


**Stainless Steel Stove Wall Panel**  
The tray can be done any size, can be selected various panel sheet. Single side : 5, 10, 15mm. Double side : 18, 20 mm.

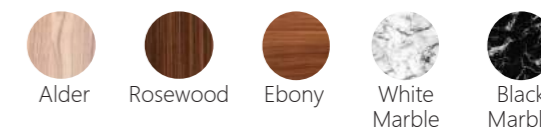
Individual Bath Unit



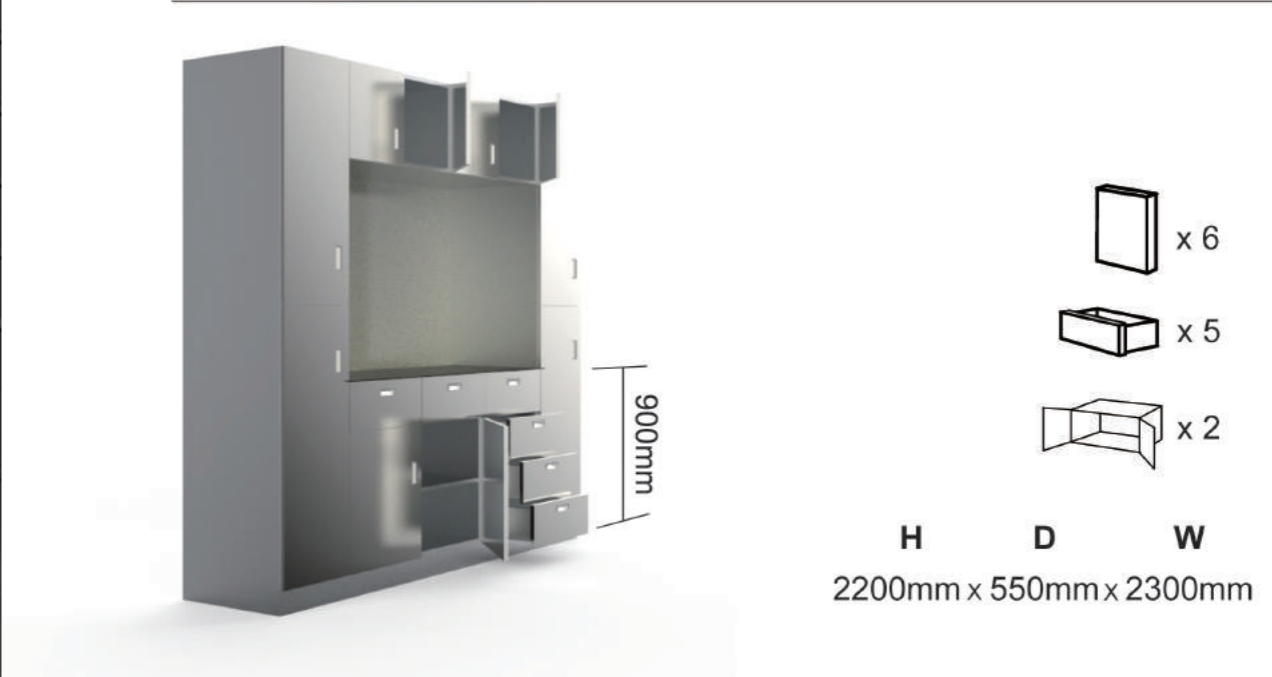
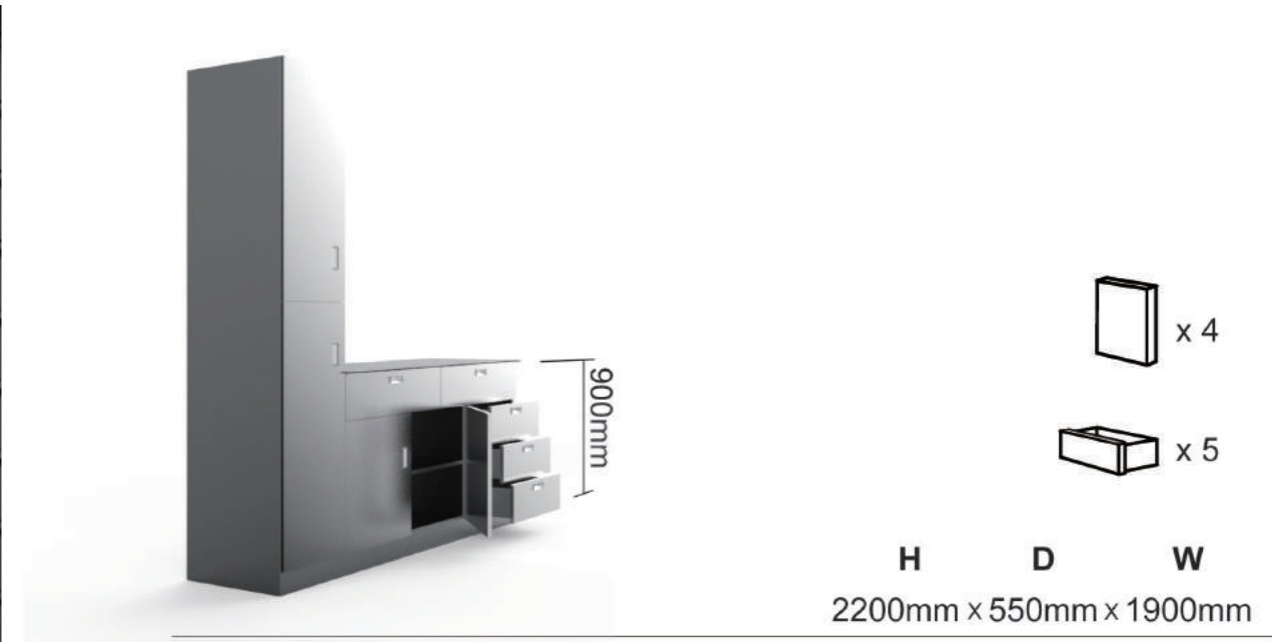
W	D	H
600mm	600mm	754mm
900mm	600mm	754mm
1200mm	600mm	754mm



W	D	H
600mm	450mm	820mm
650mm	550mm	850mm

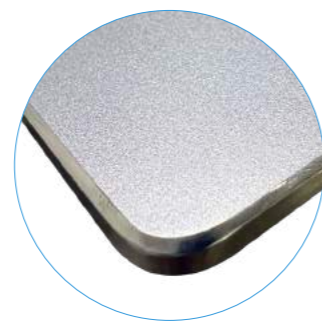
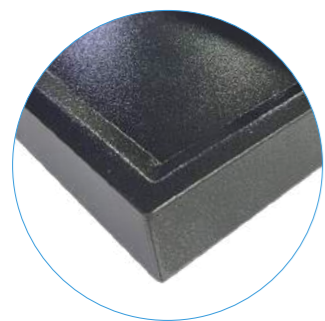


# GARAGE STAINLESS STEEL ASSEMBLY CABINET



# #304 Stainless steel Anit-Scratch Counter Top

Integrated, easy-mount system allows for smooth installation  
Corrosion and weather-resistant for all-season durability



\*Sandwich Panel, anti-corrosion

\*6mm and 10mm Thickness Option



## Structure



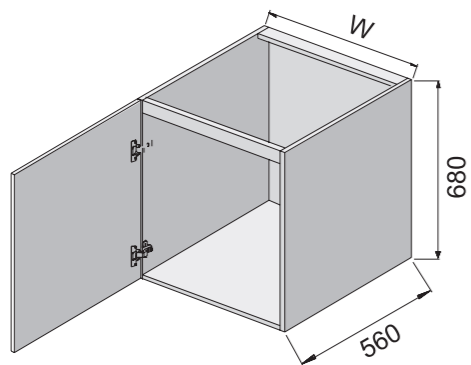
## Garage Organizers Transform Your Space.

With features such as fold-out workbenches, built-in cabinets, slat wall panels and shelves, spacious countertops, overhead storage for seasonal and less-used items, and a full range of color finish choices, we can help you make the best use of available garage space in style.

- 1. Wall Unit
- 2. #304 Stainless steel Anit-Scratch Counter Top
- 3. Base Unit
- 4. Tall Unit

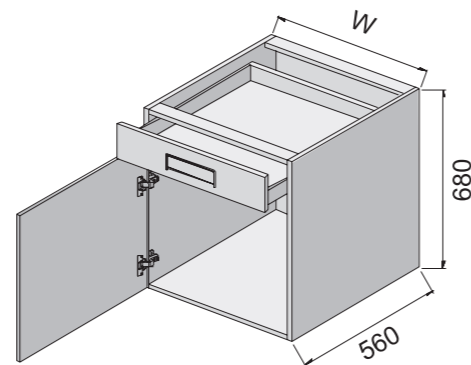
### Assembled Cabinet Series

Suit For Kitchen  
And Garage Series



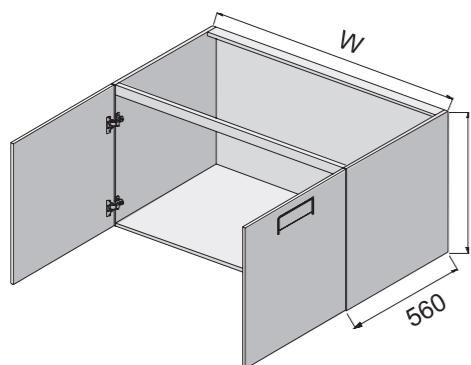
**Base Door Unit** With One Door

**D560mm x H680mm x W150/200/300 / 400/450/500/600mm**



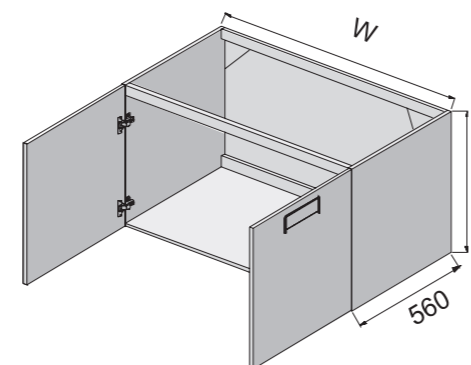
With One Drawer and One Door

**D560mm x H680mm x W400/450/500 /600mm**



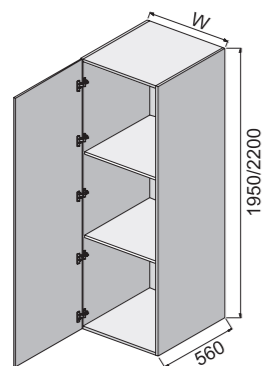
**Sink Unit** With Two Doors

**D560mm x H680mm x W400/500/600 /800/900/1000/1200mm**



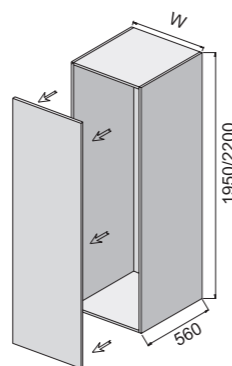
With Two Doors - No Back Panel

**D560mm x H680mm x W900/1000 /1200mm**



**Tall Unit** With One Door

**D560mm x H1950/2200mm x W300 /400/600/900mm**

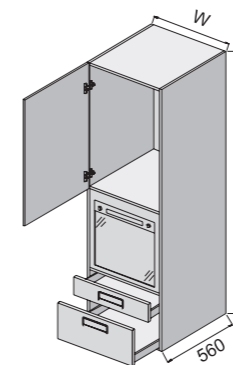


With One Drawer

**D560mm x H1950/2200mm x W300 /400/600/900mm**

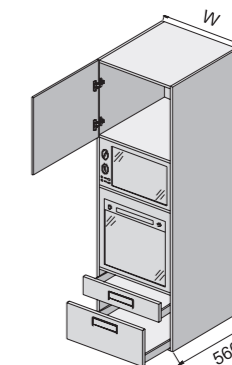
### Assembled Cabinet Series

Suit For Kitchen  
And Garage Series



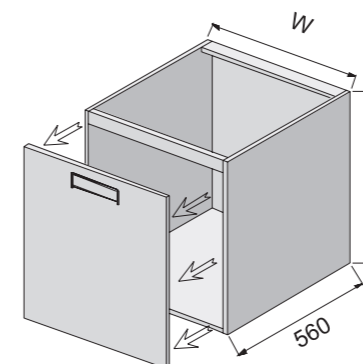
**Oven Tall Unit** With Two Drawers and One Door in Type A

**D560mm x H1950/2200mm x W600mm**



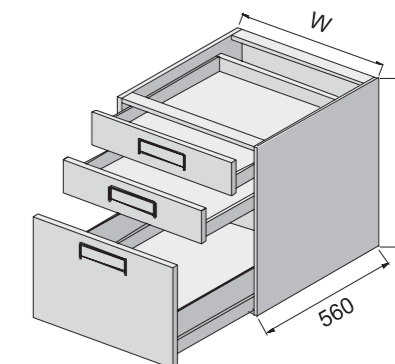
With Two Drawers and One Door in Type B

**D560mm x H1950/2200mm x W600mm**



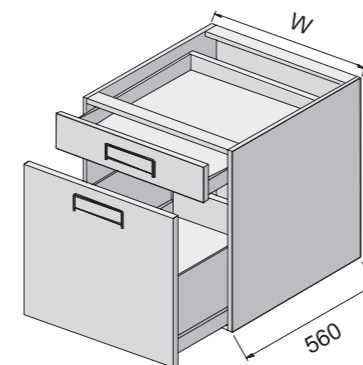
**Base Drawer Unit** With One Drawer

**D560mm x H680mm x W150/200/300 /400/450/500/600mm**



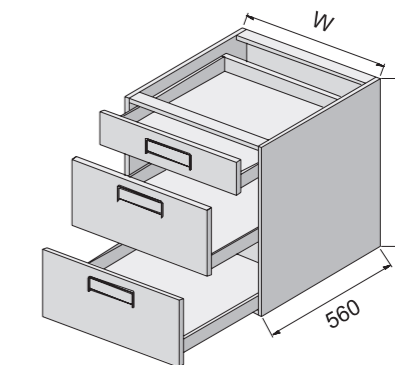
With Three Drawers in Type A

**D560mm x H680mm x W400/450/500 /600/800/900mm**



**Base Drawer Unit** With Two Drawers in Type A

**D560mm x H680mm x W400/450/500 /600/800/900mm**

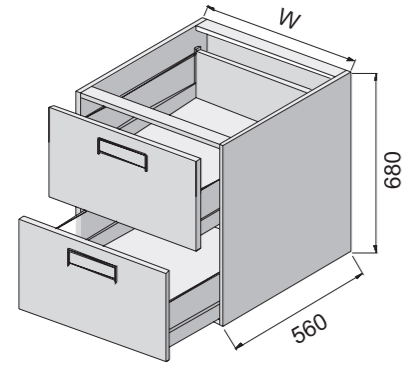


With Three Drawers in Type B

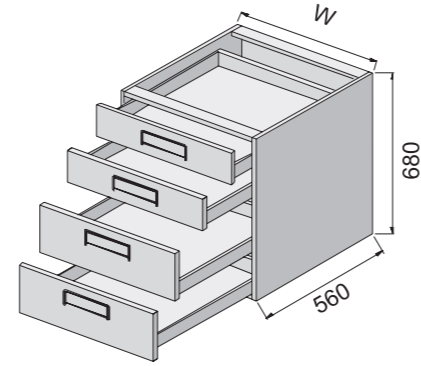
**D560mm x H680mm x W400/450/500 /600/800/900mm**

**Assembled Cabinet Series**

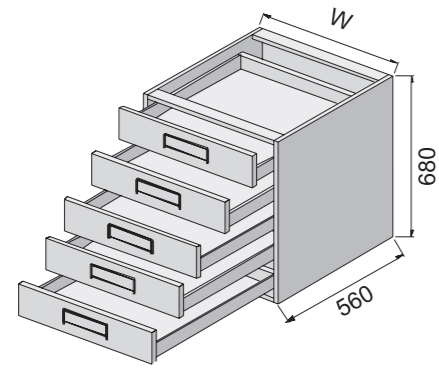
Suit For Kitchen  
And Garage Series



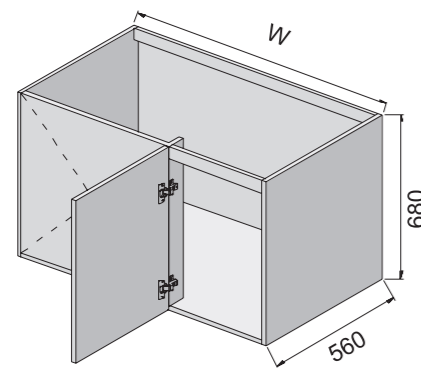
**Base Drawer Unit** With Two Drawers  
in Type B  
**D560mm x H680mm x W400/450/500**  
/600/800/900mm



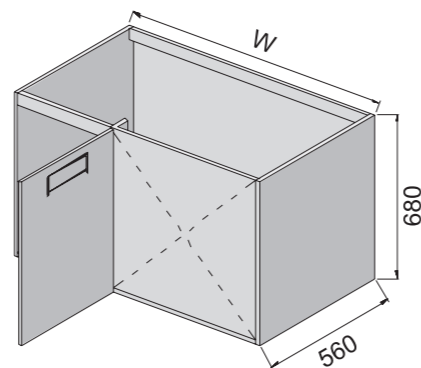
With Four Drawers  
**D560mm x H680mm x W400/450/500**  
/600mm



**Base Drawer Unit** With Five Drawers  
**D560mm x H680mm x W400/450/500**  
/600mm



**Base Corner Unit** Door in The Left  
Hand Side  
**D560mm x H 680mm x W1100/1150**  
/1250mm

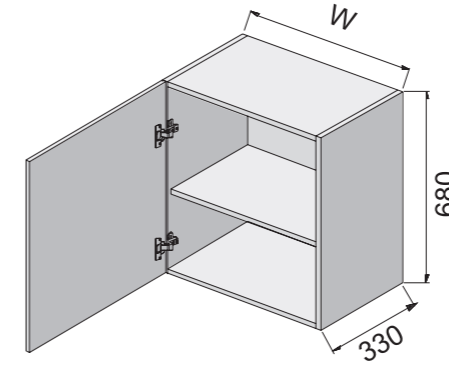


Door in The  
Right Hand Side  
**D560mm x H 680mm x W1100/1150**  
/1250mm

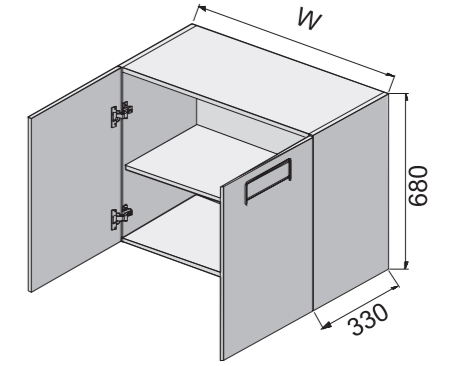


**Assembled Cabinet Series**

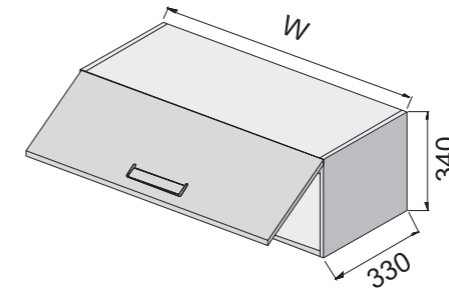
Suit For Kitchen  
And Garage Series



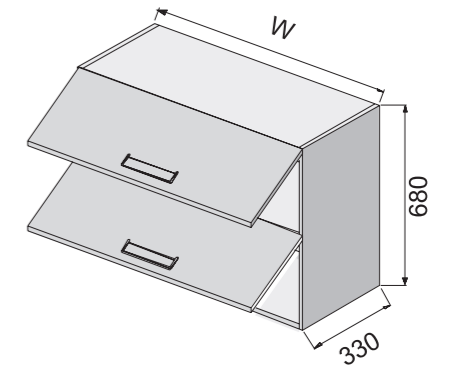
**Wall Unit** With One Door  
**D330mm x H680mm x W300/400mm**



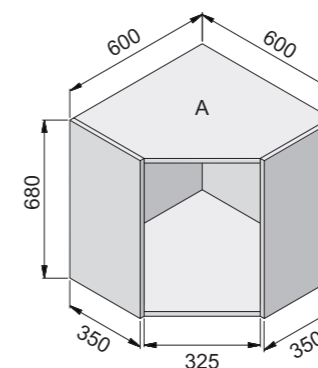
With Two Door  
**D330mm x H680mm x W300/400/600/**  
900/1000mm



**Wall Unit** With Upward Door  
**D330mm x H340mm x W900/1000/**  
1100mm



With Two Upward Door  
**D330mm x H680mm x W900/1000/**  
1100mm



**Wall Corner Unit** Door in The  
Both Side  
**D600mm x H680mm x W600mm**

### Options

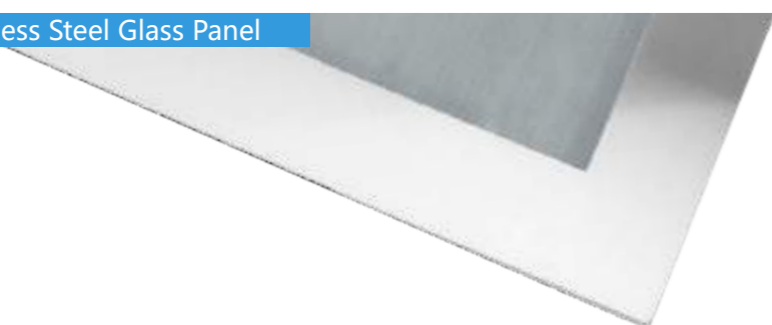


Handle Option 1



Handle Option 2

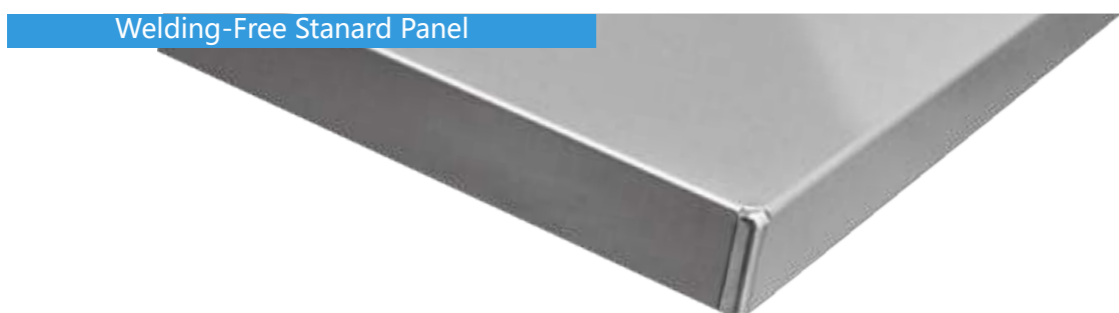
Welding-Free Stainless Steel Glass Panel



Welding-Free 45 Degree Panel



Welding-Free Standard Panel



### Finished



#304 Stainless Steel



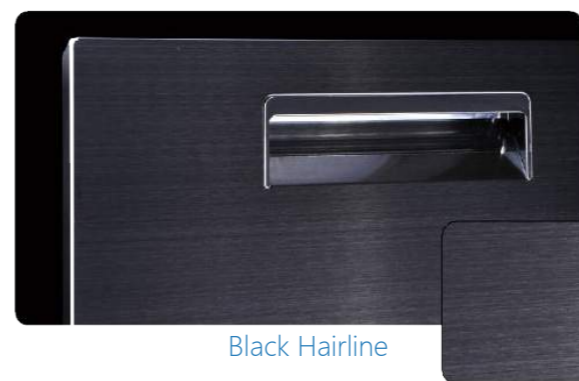
#304 Stainless Steel Non Finger Mark



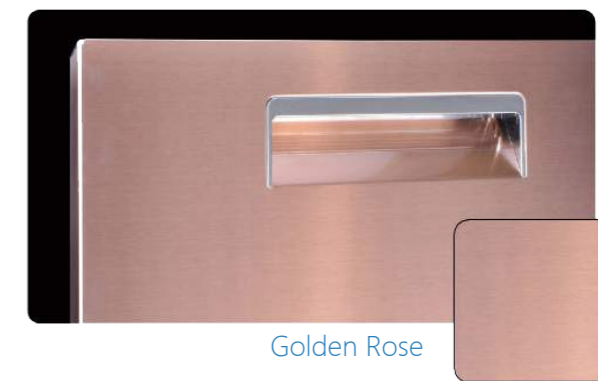
#304 Spring



Spray Sliver



Black Hairline



Golden Rose



Sliver Champagne



Golden Hairline



**MODULAR**

The modules from EQ can be combined in different ways to create your individual dream kitchen.

**VERSATILITY**

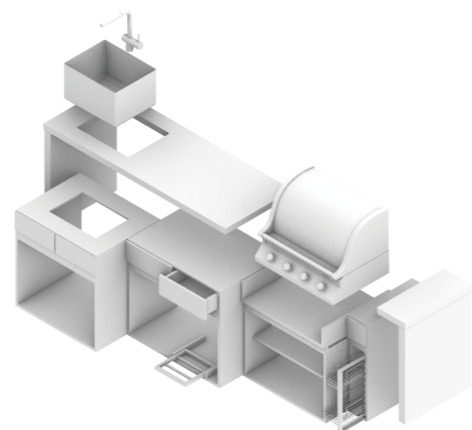
The modules from EQ can be moved as you wish: thanks to their versatility, you can transfer any place, both indoor and outdoor, into a place of conviviality.

**SUSTAINABILITY**

Our cabinet mainly consist of stainless steel, glass and aluminum and combine the elegance of these materials with exceptional durability and a high degree of ecological sustainability.



#316/304 Stainless Steel Outdoor Kitchen



Dimension



ITEM CODE	H	D	W
A200/250	900mm	650mm	205mm



ITEM CODE	H	D	W
B860	750mm	650mm	850mm



ITEM CODE	H	D	W
C600	900mm	650mm	600mm



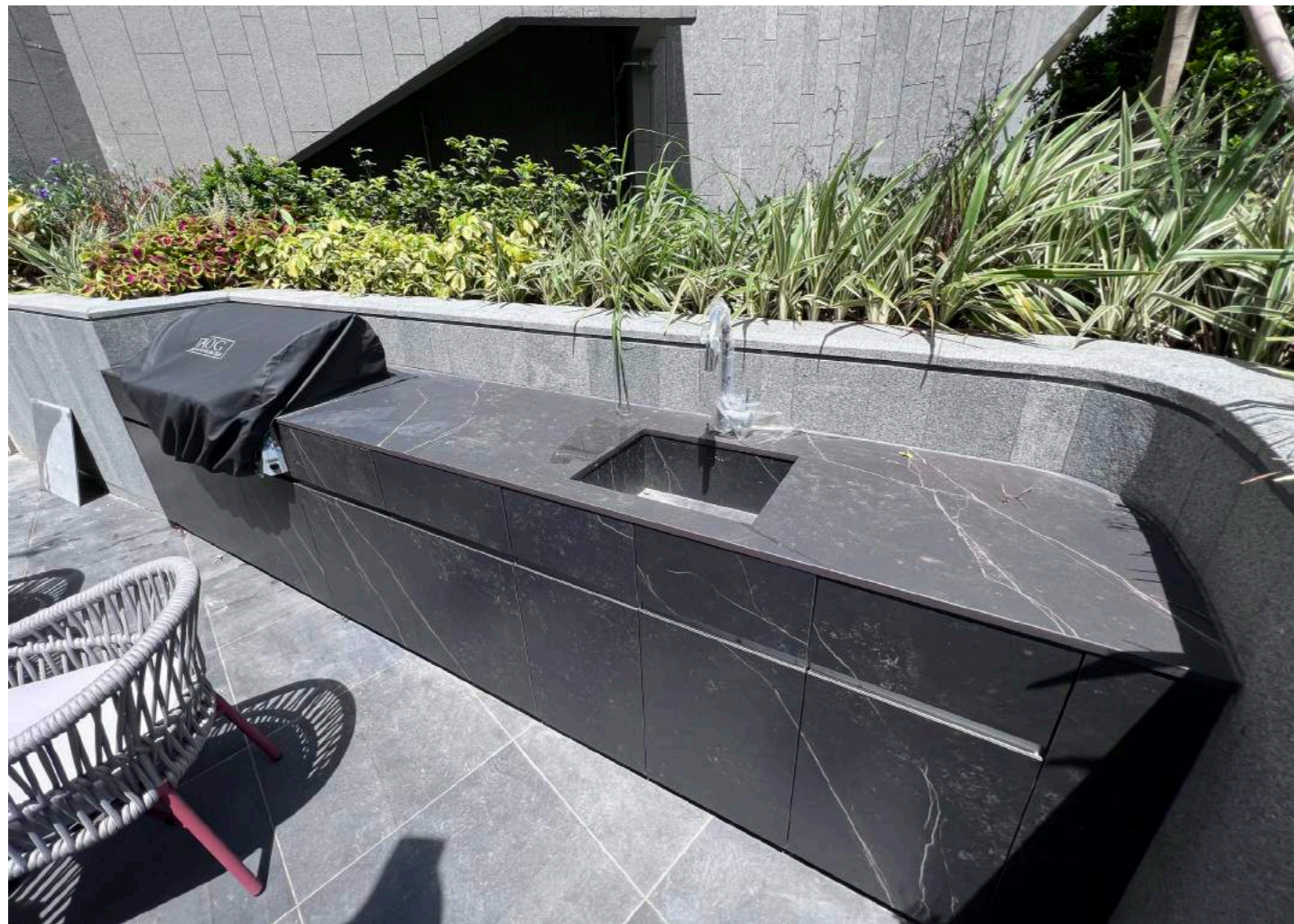
ITEM CODE	H	D	W
C900	900mm	650mm	900mm

Optional Accessories



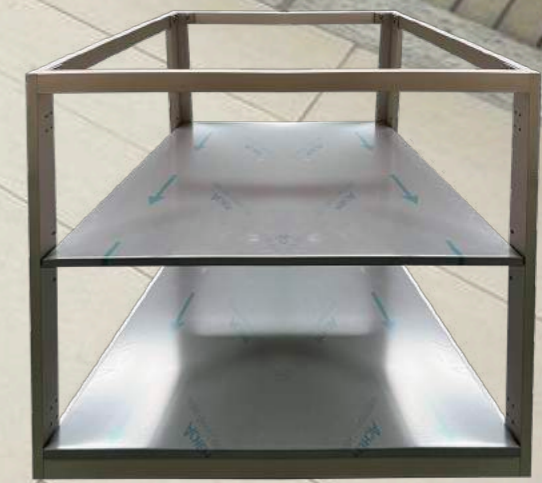


#316/304 Stainless Steel Outdoor Kitchen



#316/304 Stainless Steel Outdoor Kitchen





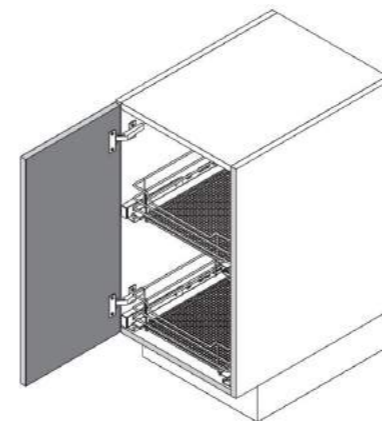
Aluminum Framework



ITEM CODE	H	D	W
A200	900mm	650mm	205mm



- can add pull out basket inside



- can add pull out basket inside



ITEM CODE	H	D	W
B860	750mm	650mm	860mm



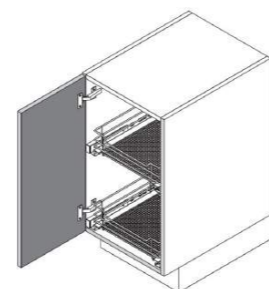
- can add sliding tank gas shelf



- can be one door / open shelf



ITEM CODE	H	D	W
C600	900mm	650mm	600mm



- can add sink / induction cooker/pull out basket inside
- can be one / two door



- can add pull out table



ITEM CODE	H	D	W
C900	900mm	650mm	900mm



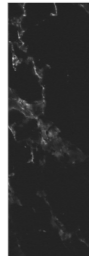
ITEM CODE	H	D	W
D650	900mm	650mm	650mm



ITEM CODE	H	D	W
E900	900mm	650mm	900mm

**A200**

One Door  
+  
Pull Out Basket  
(Optional)



**B860**

Two Door



**C600**

One Door  
+  
Sink / Cooker  
(Optional)



OR



**C900**

Two Door  
+  
Pull Out Basket  
(Optional)



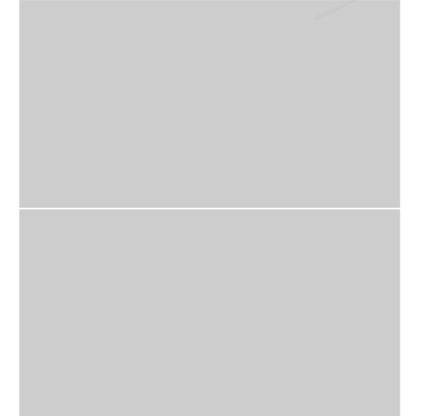
**D650**

One Door/  
Open Space  
(Optional)



**E900**

Two Door  
+  
Pull-Out Table  
(Optional)

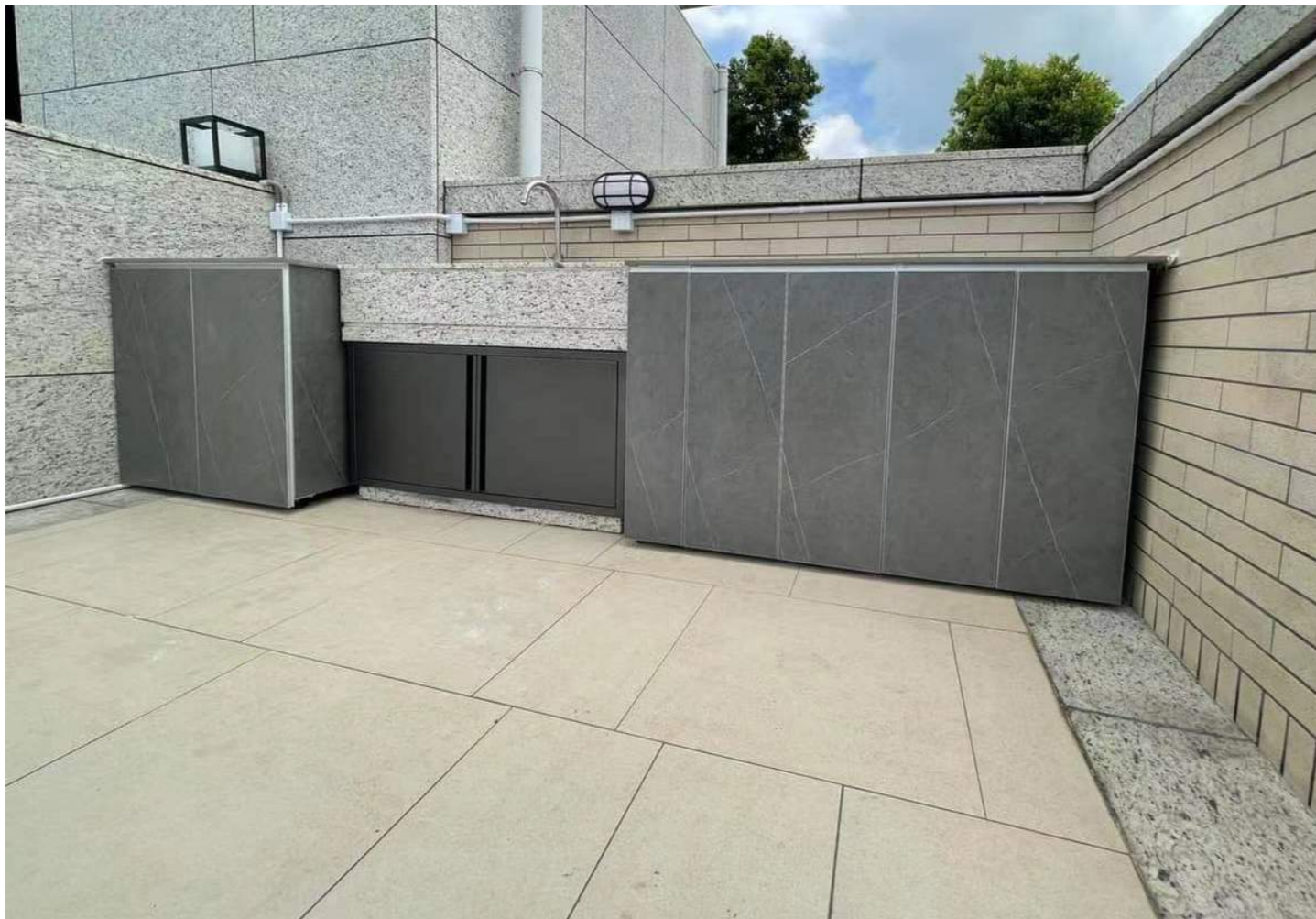


**D650 + A200 + B860 + C600 (With Sink) + C600**



**B860 + A200 + E900 (With Pull-Out Table) + C900 + C600**

Aluminum Outdoor Kitchen



Aluminum Outdoor Kitchen



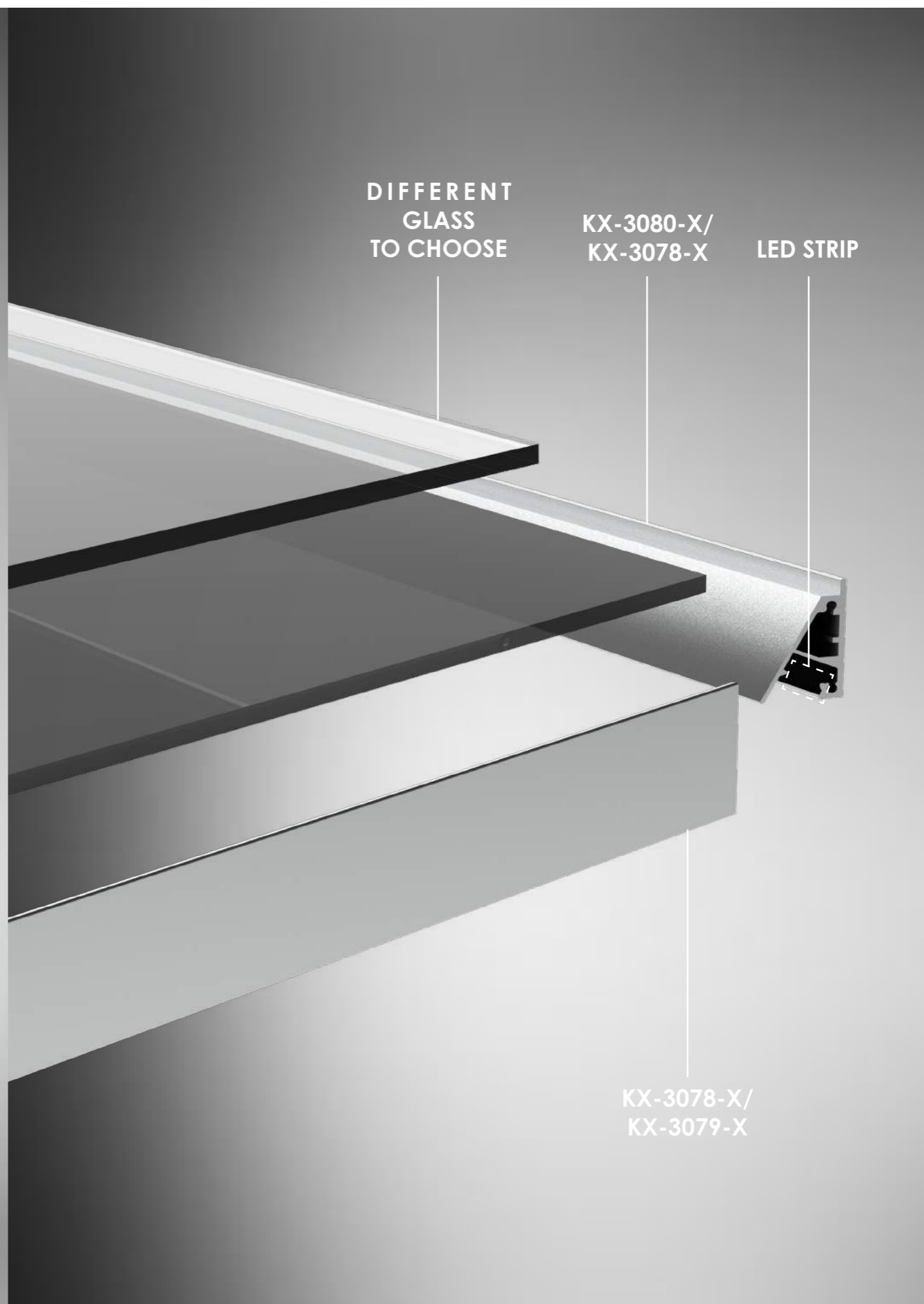




- 1. Counter Top
- 2. Galvanized Channel Steel
- 3. Door Panel
- 4. Honeycomb Board







DIFFERENT  
GLASS  
TO CHOOSE

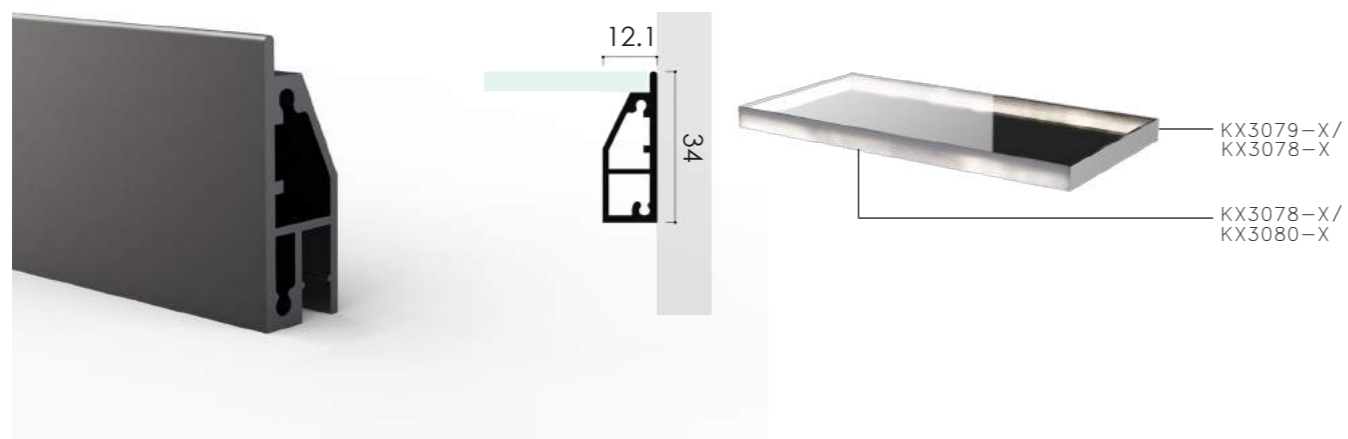
KX-3080-X/  
KX-3078-X

LED STRIP

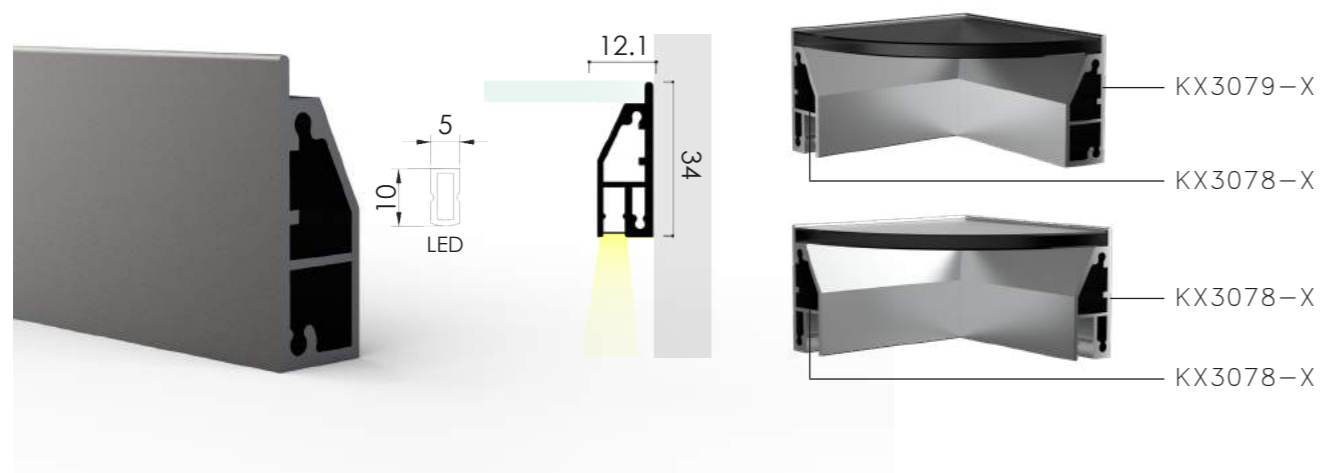
KX-3078-X/  
KX-3079-X

### Aluminum LED Profile

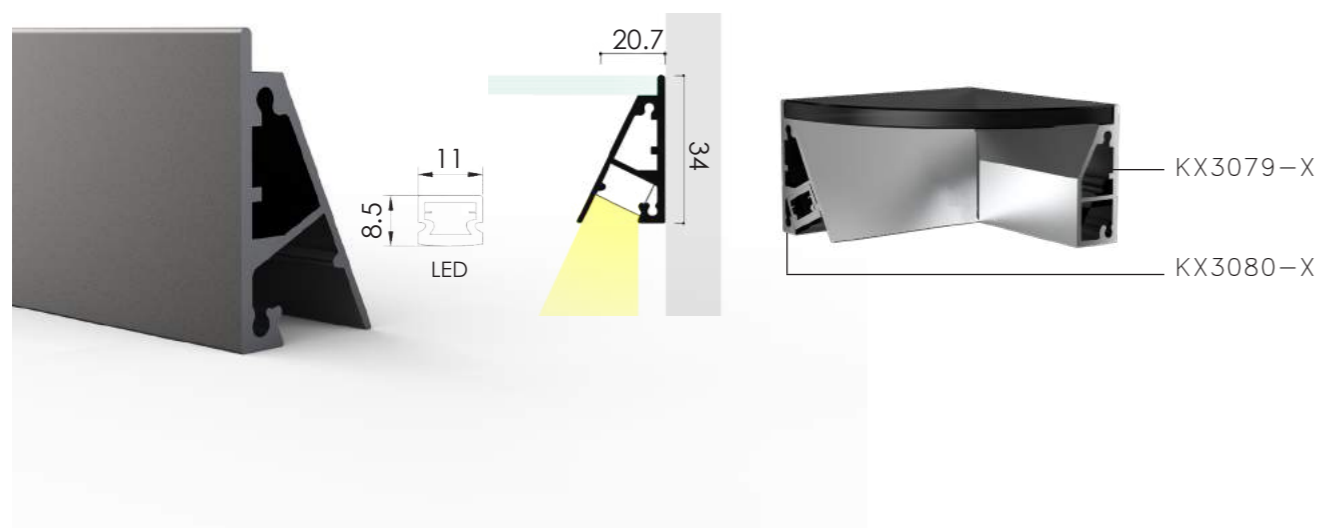
LED-3079-X



LED-3078-X

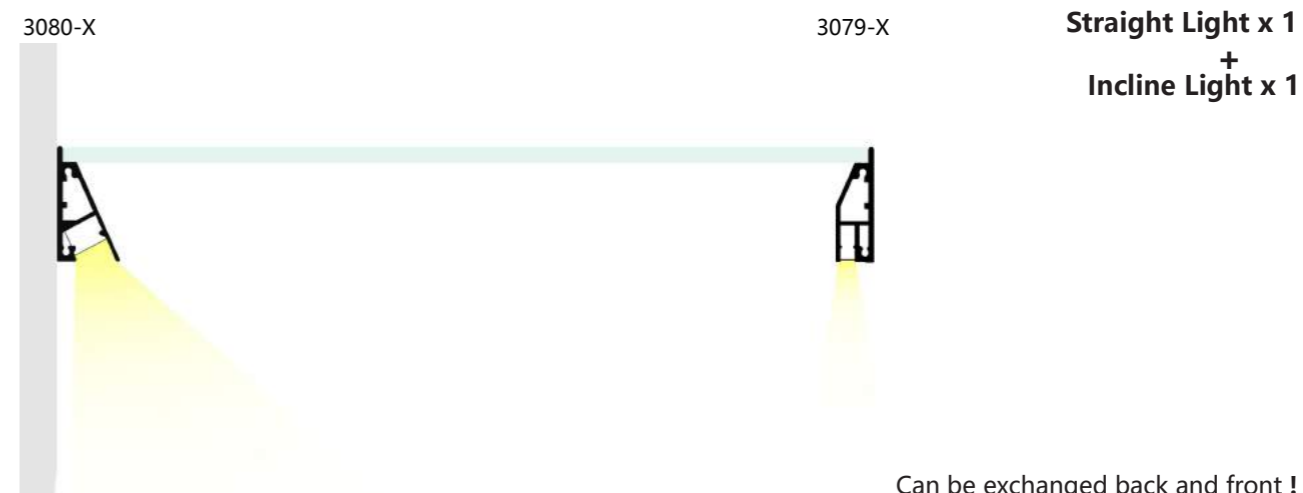
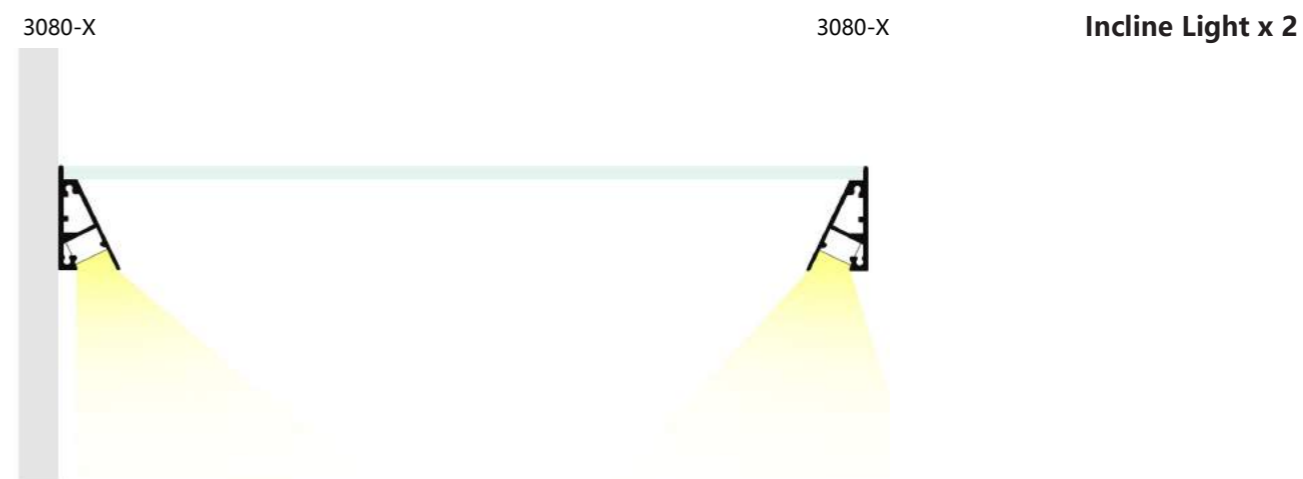
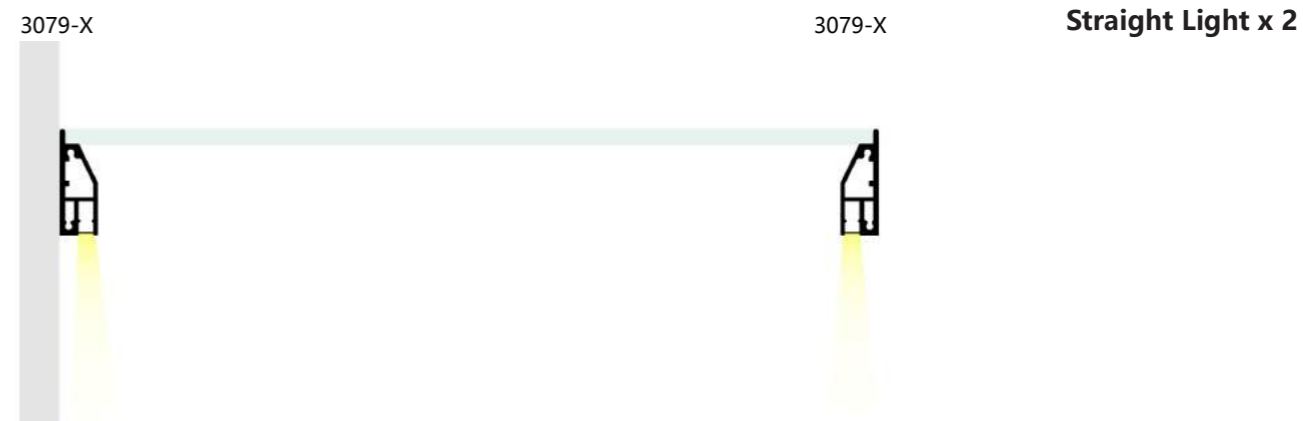


LED-3079-X



### Aluminum LED Profile

Back	Front	Light Effect
------	-------	--------------



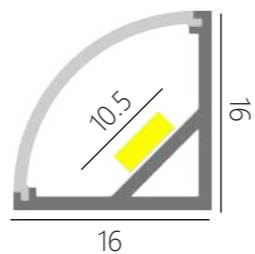
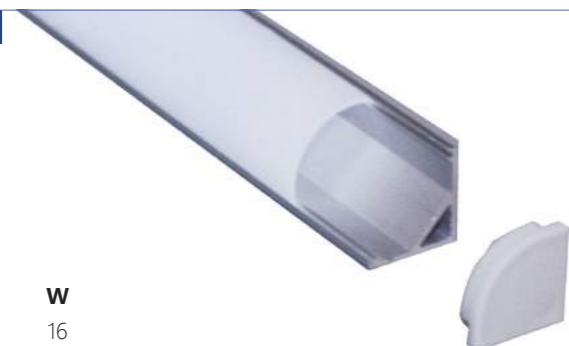
Can be exchanged back and front !

Outer Setting LED Profile



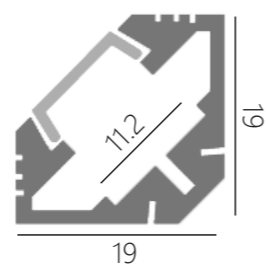
Outer Setting

LED-1002



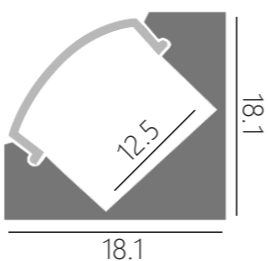
L	D	W
2000	16	16

LED-1101



L	D	W
2000	19	19

LED-1203



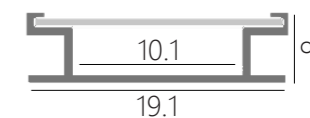
L	D	W
2000	18.1	18.1

Insert Setting LED Profile



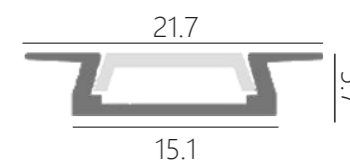
Insert Setting

LED-1003



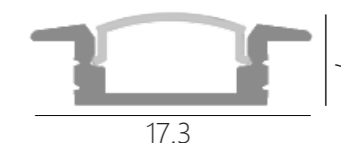
L	D	W
2000	8	19.1

LED-1104



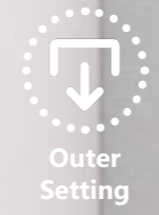
L	D	W
2000	5.7	15.1

LED-1204

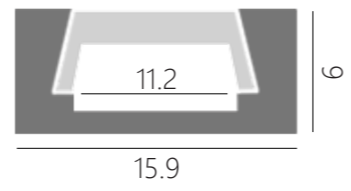


L	D	W
2000	7	17.3

### Outer Setting LED Profile

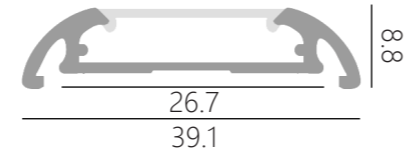


LED-1102



L	D	W
2000	9	15.9

LED-2601

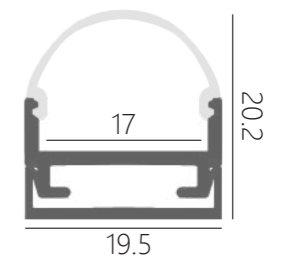


L	D	W
2000	8.8	39.1

### Outer Setting Without LED Profile

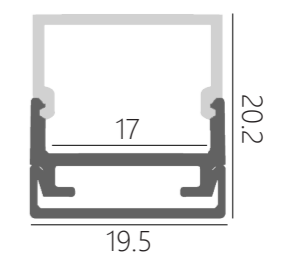


LED-1601



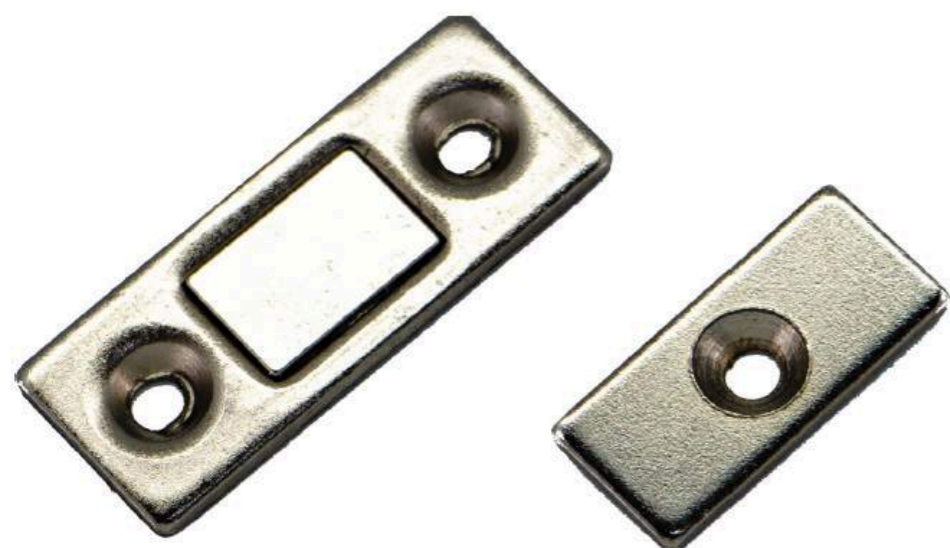
L	D	W
2000	20.2	19.5

LED-1602



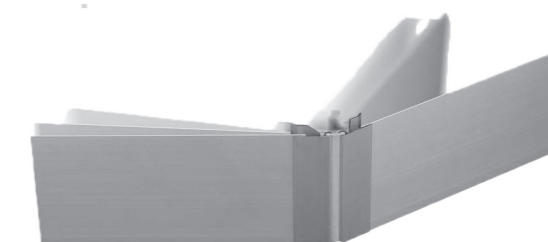
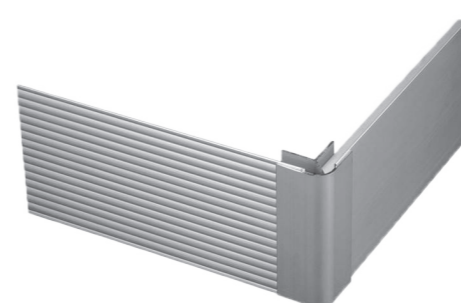
L	D	W
2000	20.2	19.5

Strong Magnetic ( MT Series )



Product	Item Code	Item Code
Strong Magnetic	MTH-SD-0701	MTH-SD-0701A
Super Strong Magnetic	MTH-SD-0702	MTH-SD-0702A
Ultra Strong Magnetic	MTH-SD-0703	MTH-SD-0703A

Kitchen Plinth Edge

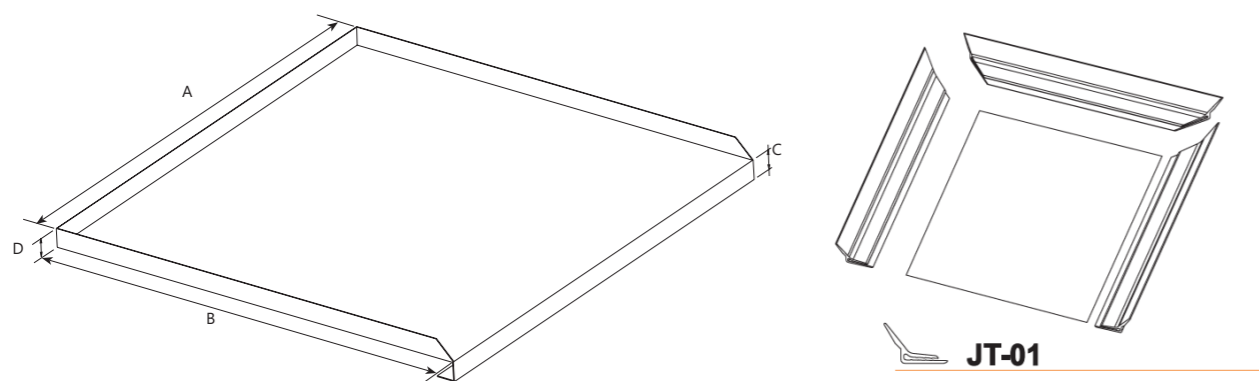


1025-100mm 1025-100mm  
 1025-110mm 1025-110mm  
 1025-150mm 1025-150mm



Fully Aluminum	Aluminum and PVC
MTH-PE-1019 	MTH-PE-2019 
MTH-PE-1020 	MTH-PE-2021 
MTH-PE-1021 	MTH-PE-2022 
MTH-PE-1022 	

### Draining Tray ( DT Series )



Item Code	A	B	C	D
Standard Case	16 / 18	500 / 550	16 / 18	12
MTH-DTP-400	368 / 364			
MTH-DTP-450	418 / 414			
MTH-DTP-500	468 / 464			
MTH-DTP-600	568 / 564			
MTH-DTP-700	668 / 664			
MTH-DTP-800	768 / 764			
MTH-DTP-900	868 / 864			
MTH-DTP-1000	968 / 964			
MTH-DTP-1200	1168 / 1164			

**Customer's request**

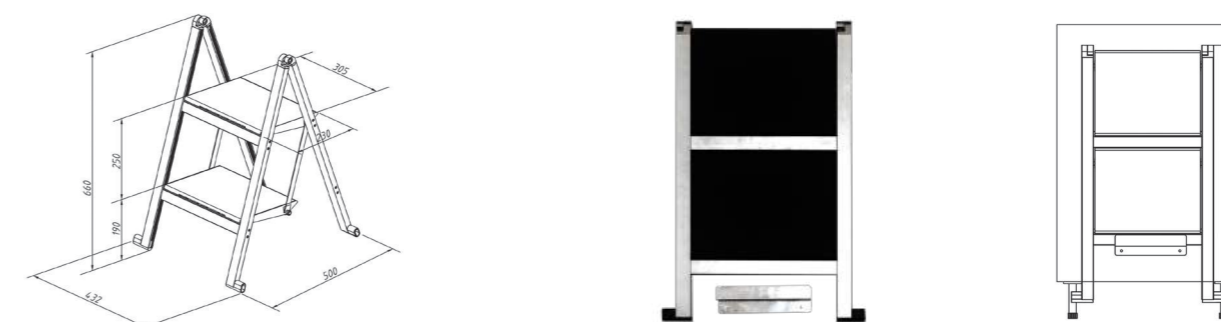
### Stepstop



#### Stepstop-1

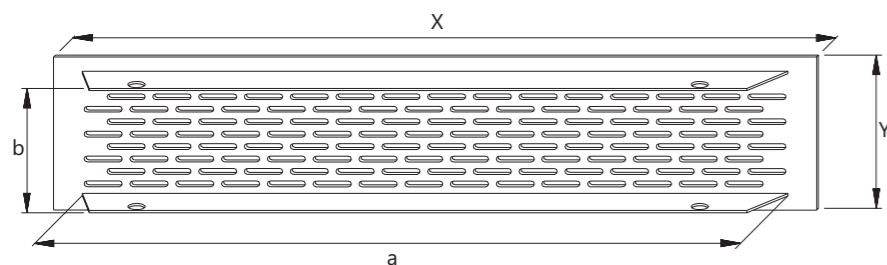
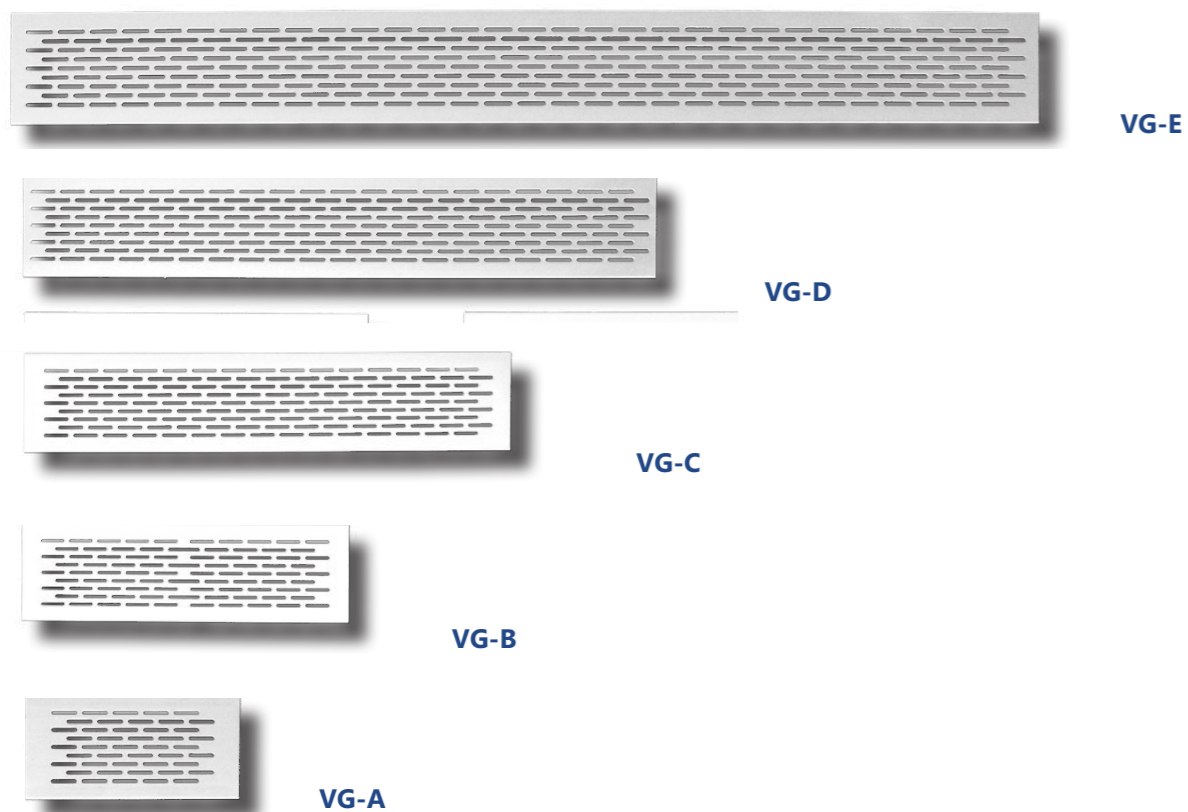


#### Stepstop-2



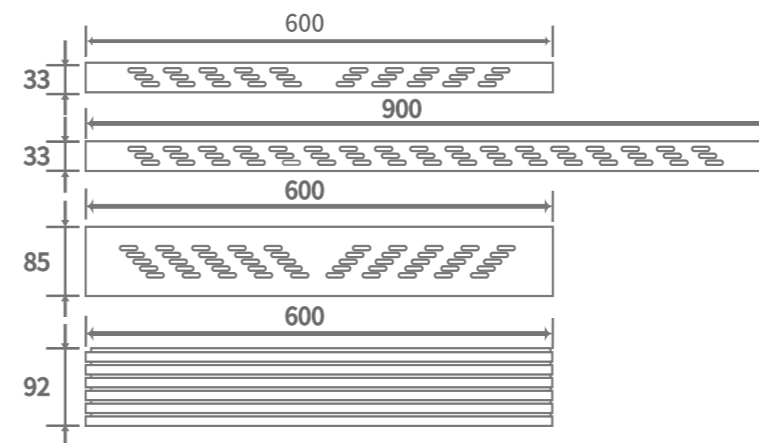
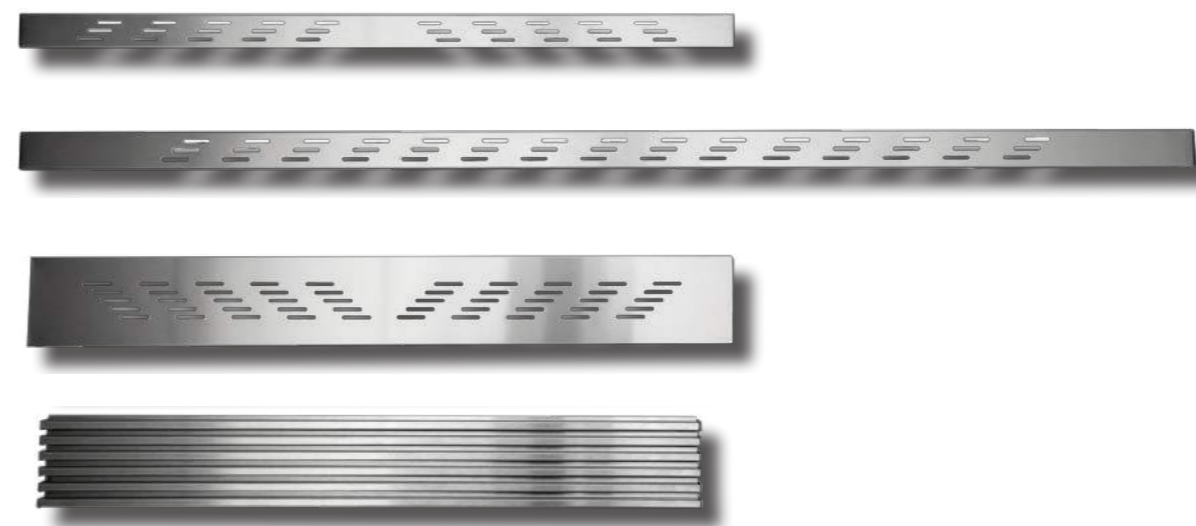


### Ventilation Cover Aluminum



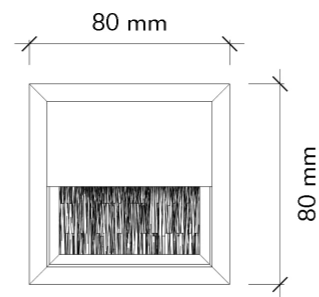
Item Code	X & Y	a & b
MTH-VG-A	150 x 80	120 x 85
MTH-VG-B	300 x 80	270 x 85
MTH-VG-C	400 x 80	370 x 85
MTH-VG-D	650 x 80	620 x 85
MTH-VG-E	750 x 80	720 x 85

### Ventilation Cover Stainless Steel

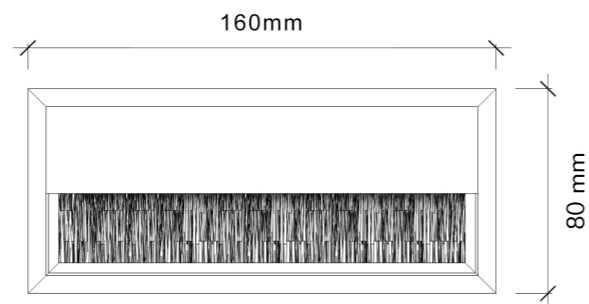


Item Code	X & Y	a & b
MTH-VG-A	150 x 80	120 x 85
MTH-VG-B	300 x 80	270 x 85
MTH-VG-C	400 x 80	370 x 85
MTH-VG-D	650 x 80	620 x 85
MTH-VG-E	750 x 80	720 x 85

# Aluminum Cover Cable Grommet



	H	D	W
Panel Size	5mm	80mm	80mm



	H	D	W
Panel Size	5mm	80mm	160mm

## Notes

